



□ 60x60x20 mm



Frame: Plastic

Impeller: Plastic Material UL94V-0

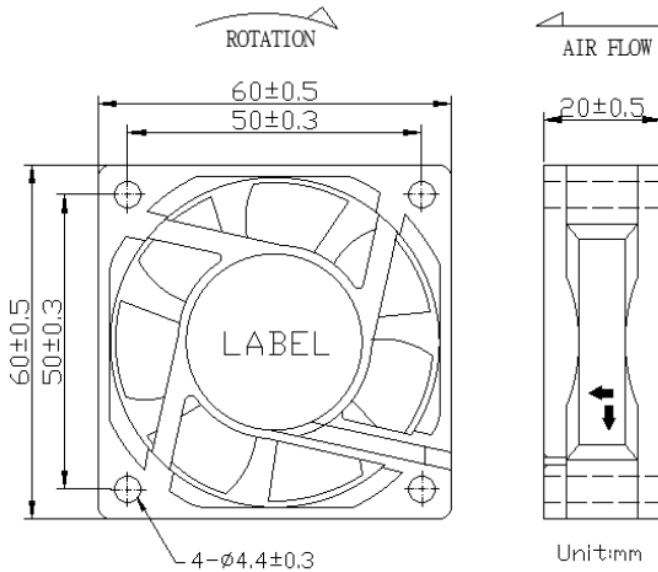
Ambient Temperature Range: -10°C ~ +70°C

Bearing: Ball, Sleeve

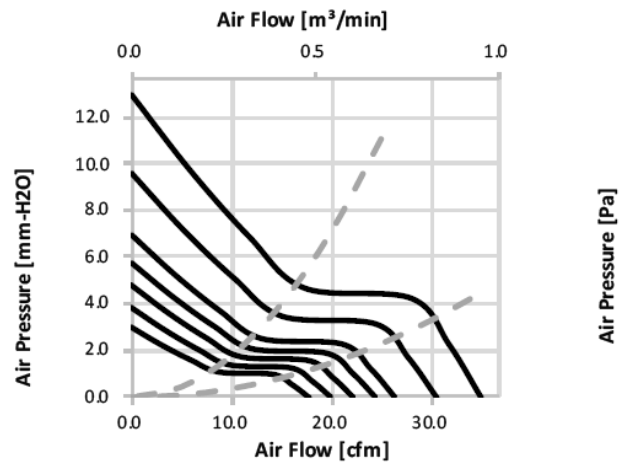
Motor Structure: DC Brushless Motor

Package: 50 g / PC

Dimension (units:mm)



Characteristic Curves



SPECIFICATION

Model	Voltage (V)	Operating Voltage Range(VDC)	Current (A)	Speed (RPM)	Air Flow (CFM)	Pressure (in-H2O)	Noise (dB)
CD126020JB	12	7.0 – 13.2	0.07	3200	17.67	0.12	26
CD126020LB	12	7.0 – 13.2	0.09	3600	19.88	0.15	28
CD126020MB	12	7.0 – 13.2	0.11	4000	22.08	0.19	31
CD126020HB	12	7.0 – 13.2	0.13	4400	24.29	0.23	33
CD126020XB	12	7.0 – 13.2	0.17	4800	26.50	0.27	35
CD126020UB	12	7.0 – 13.2		6000	30.46	0.38	43
CD126020WB	12	7.0 – 13.2	0.48	7000	35.00	0.51	46
CD246020HB	24	14.0 – 26.2	0.10	4400	24.29	0.23	33
CD246020XB	24	14.0 – 26.2	0.12	4800	26.50	0.27	35
CD246020BUB	24	14.0 – 26.2	0.14	6000	30.46	0.38	43
CD246020WB	24	14.0 – 26.2	0.24	7000	35.00	0.51	46