



# □ 60x60x25 mm

**Frame:** Plastic

**Impeller:** Plastic Material UL94V-0

**Ambient Temperature Range:** -10°C ~ +70°C

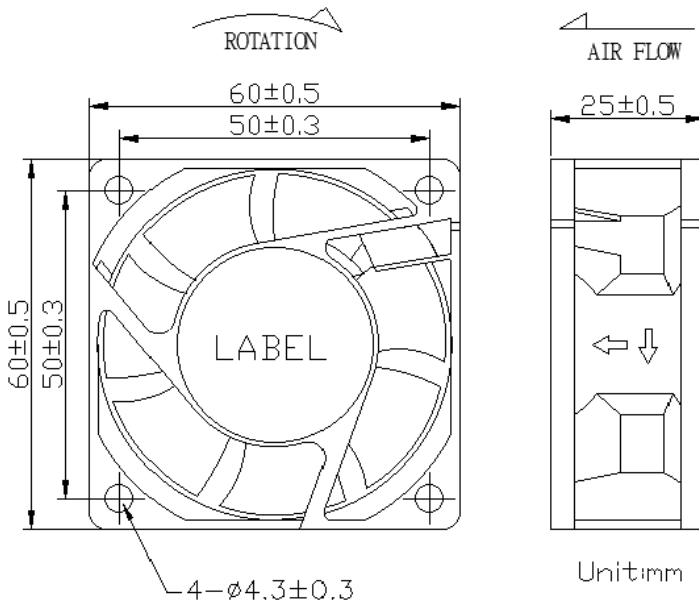
**Bearing:** Ball, Sleeve.

**Motor Structure:** DC Brushless Motor

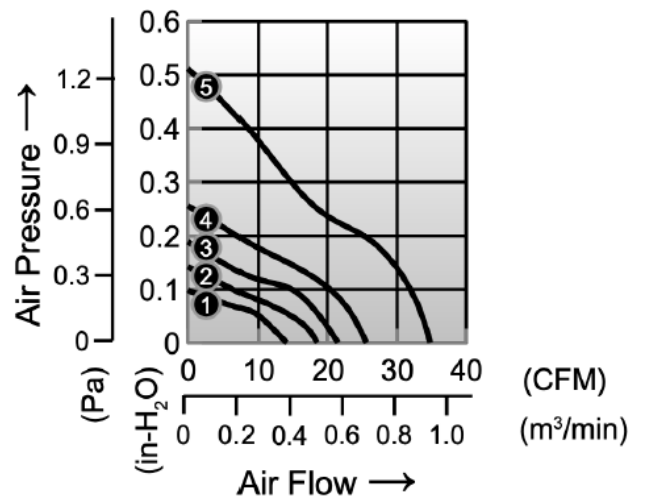
**Package:** 57 g / PC



## Dimension (units:mm)



## Characteristic Curves



## SPECIFICATION

Model	Voltage (V)	Operating Voltage Range(VDC)	Current (A)	Speed (RPM)	Air Flow (CFM)	Pressure (in-H <sub>2</sub> O)	Noise (dB)
CD126025JB	12	7.0 – 13.2	0.07	3100	14.10	0.10	26
CD126025MB	12	7.0 – 13.2	0.11	4250	21.50	0.19	34
CD126025HB	12	7.0 – 13.2	0.20	5000	25.60	0.26	40
CD126025XB	12	7.0 – 13.2	0.40	7000	35.80	0.54	48
CD246025JB	24	14.0 – 26.4	0.04	3100	14.10	0.10	26
CD246025MB	24	14.0 – 26.4		4250	21.50	0.19	34
CD246025HB	24	14.0 – 26.4	0.12	5000	25.60	0.26	40
CD246025XB	24	14.0 – 26.4	0.20	7000	35.80	0.54	48
CD486025JB	48	28.0 – 56.0	0.03	3100	14.10	0.10	26
CD486025MB	48	28.0 – 56.0	0.05	4250	21.50	0.19	34
CD486025HB	48	28.0 – 56.0	0.08	5000	25.60	0.26	40
CD248025XB	48	28.0 – 56.0	0.11	7000	35.80	0.54	48