



□ 60x60x38 mm

Frame: Plastic

Impeller: Plastic Material UL94V-0

Ambient Temperature Range: -10°C ~ +70°C

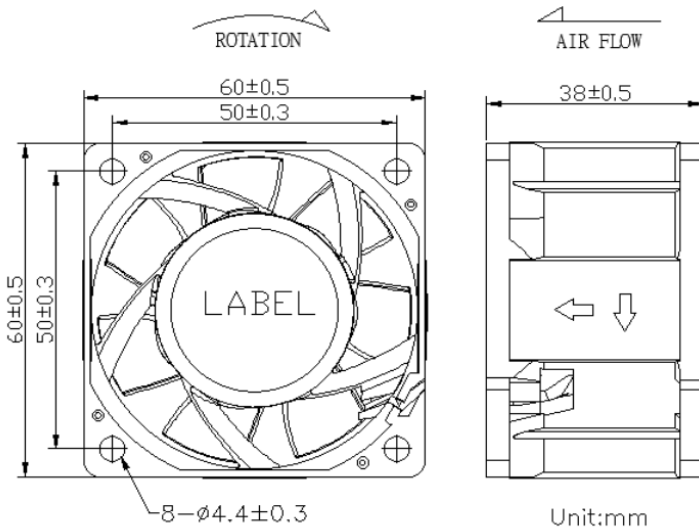
Bearing: Ball,

Motor Structure: DC Brushless Motor

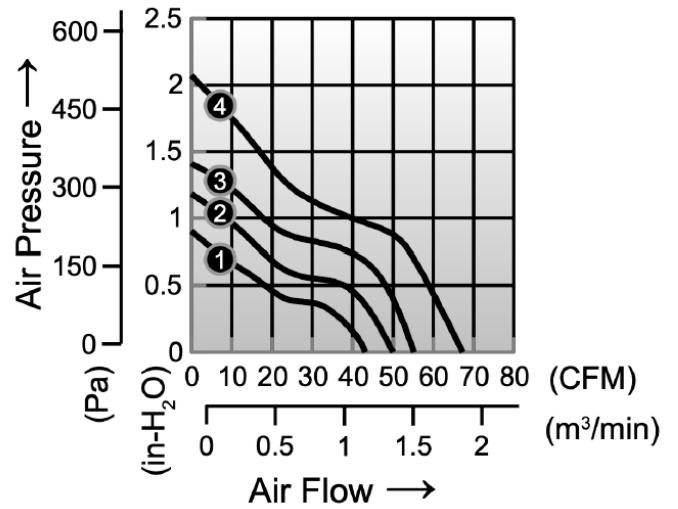
Package: 145 g / PC



Dimension (units:mm)



Characteristic Curves



SPECIFICATION

Model	Voltage (V)	Operating Voltage Range(VDC)	Current (A)	Speed (RPM)	Air Flow (CFM)	Pressure (in-H ₂ O)	Noise (dB)
CDB126038JB	12	7.0 – 13.2	0.68	9000	50.80	1.19	54
CDB126038LB	12	7.0 – 13.2	1.00	10000	55.20	1.41	57
CDB126038MB	12	7.0 – 13.2	1.38	12000	67.30	2.07	62
CDB126038HB	12	7.0 – 13.2	2.50	14000	78.52	2.82	65
CDB246038MB	24	14.0 – 26.4	0.40	9000	50.80	1.19	54
CDB246038HB	24	14.0 – 26.4	0.53	10000	55.20	1.41	57
CDB246038XB	24	14.0 – 26.4	0.75	12000	67.30	2.07	62
CDB246038UB	24	14.0 – 26.4	1.30	14000	78.52	2.82	65
CDB246038WB	24	14.0 – 26.4	1.50	16000	89.70	3.68	69
CDB486038XB	48	28.0 – 56.0	0.47	12000	67.30	2.07	62
CDB486038UB	48	28.0 – 56.0	0.60	14000	78.52	2.82	65
CDB486038WB	48	28.0 – 56.0	0.80	16000	89.70	3.68	69