



□ 70x70x10 mm



Frame: Plastic

Impeller: Plastic Material UL94V-0 P.B.T

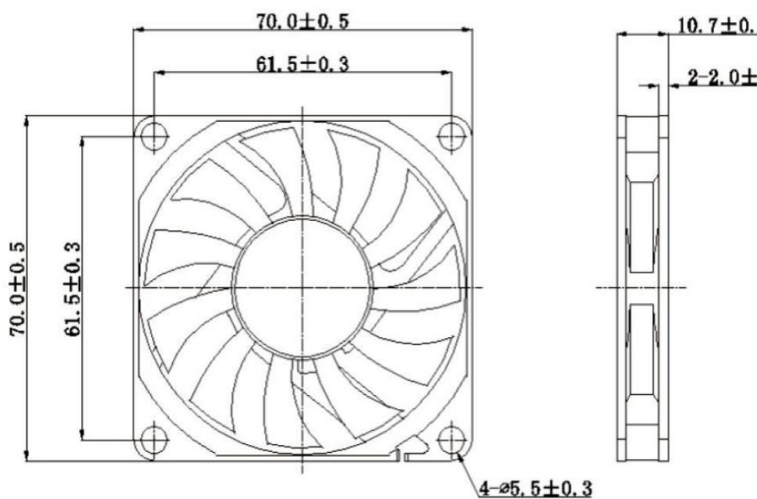
Ambient Temperature Range: -10°C ~ +70°C

Bearing: Sleeve or Ball

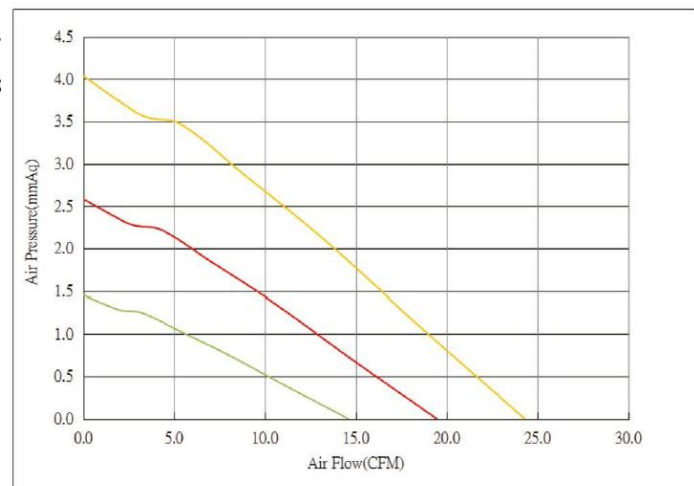
Motor Structure: DC Brushless Motor

Package: 33g / PC

Dimension (units:mm)



Characteristic Curves



SPECIFICATION

Model	Voltage (V)	Operating Voltage Range(VDC)	Current (A)	Speed (RPM)	Air Flow (CFM)	Pressure (in-H ₂ O)	Noise (dB)
CD057010LB	5	4~5.5	0.23	3000	14.56	0.06	28.50
CD127010LB	12	7~13.2	0.10	3000	14.56	0.06	28.50
CD127010MB	12	7~13.2	0.17	4000	19.40	0.10	34.80
CD127010HB	12	7~13.2	0.34	5000	24.30	0.16	39.60
CD247010LB	24	14~26.4	0.05	3000	14.56	0.06	28.50
CD247010MB	24	14~26.4	0.11	4000	19.40	0.10	34.80
CD247010HB	24	14~26.4	0.21	5000	24.30	0.16	39.60

DC Axial Fan