



□ 70x70x15 mm



Frame: Plastic

Impeller: Plastic Material UL94V-0

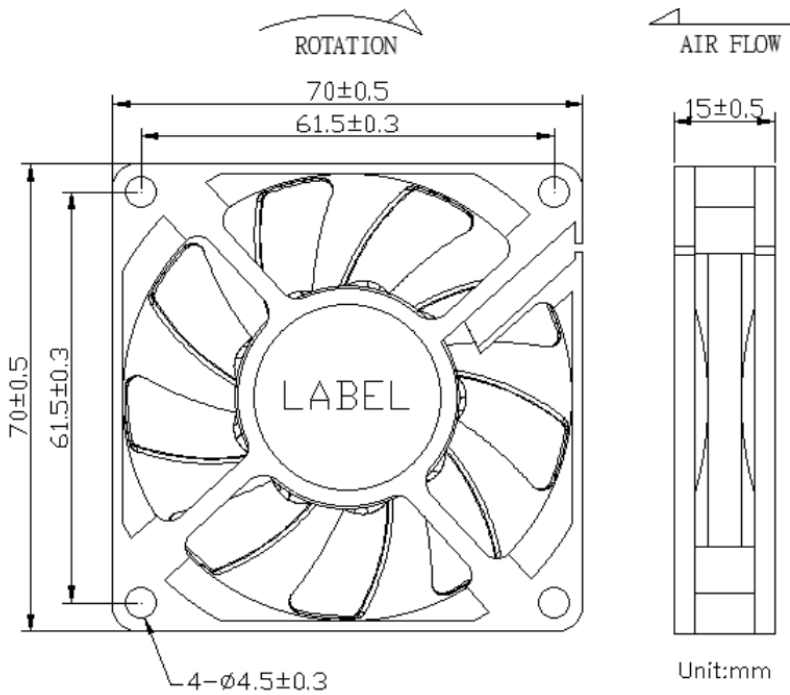
Ambient Temperature Range: -10°C ~ +70°C

Bearing: Ball, Sleeve

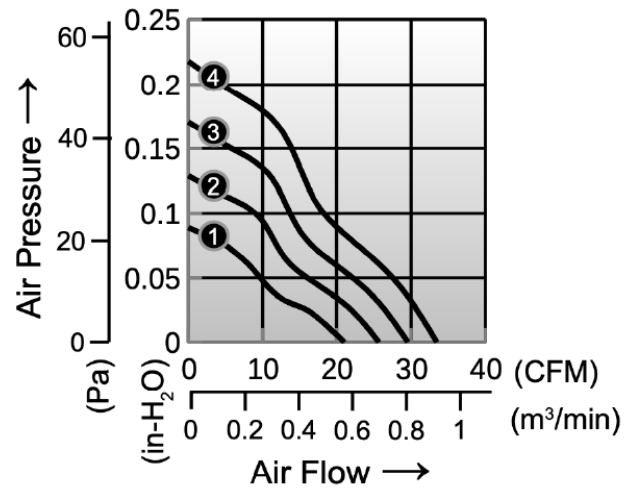
Motor Structure: DC Brushless Motor

Package: 50 g / PC

Dimension (units:mm)



Characteristic Curves



SPECIFICATION

Model	Voltage (V)	Operating Voltage Range(VDC)	Current (A)	Speed (RPM)	Air Flow (CFM)	Pressure (in-H ₂ O)	Noise (dB)
CD127015JB	12	7.0 – 13.2	0.10	2800	21.1	0.09	27
CD127015LB	12	7.0 – 13.2	0.12	3300	25.7	0.13	31
CD127015MB	12	7.0 – 13.2	0.17	3800	29.6	0.17	35
CD127015HB	12	7.0 – 13.2	0.25	4300	33.5	0.22	39
CD247015MB	24	14.0 – 26.4	0.10	3800	29.6	0.17	35
CD247015HB	24	14.0 – 26.4	0.12	4300	33.5	0.22	39