



□ 70x70x25 mm



Frame: Plastic

Impeller: Plastic Material UL94V-0

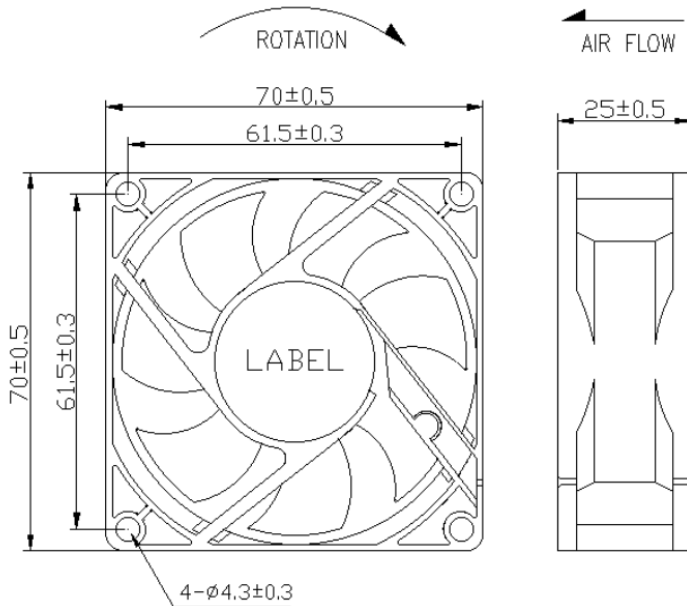
Ambient Temperature Range: -10°C ~ +70°C

Bearing: Ball, Sleeve

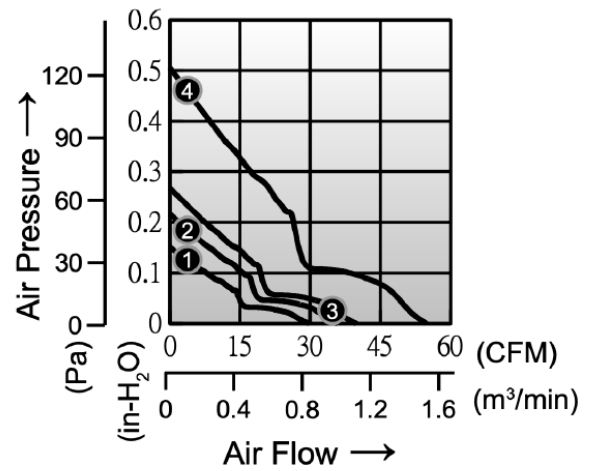
Motor Structure: DC Brushless Motor

Package: 74 g / PC

Dimension (units:mm)



Characteristic Curves



SPECIFICATION

Model	Voltage (V)	Operating Voltage Range(VDC)	Current (A)	Speed (RPM)	Air Flow (CFM)	Pressure (in-H2O)	Noise (dB)
CD127025LB	12	7.0 – 13.2	0.07	3000	30.00	0.15	27
CD127025HB	12	7.0 – 13.2	0.18	4000	39.90	0.27	37
CD127025XB	12	7.0 – 13.2	0.33	5500	54.80	0.50	45
CD127025UB	12	7.0 – 13.2	0.50	6500	64.76	0.70	49
CD247025LB	24	14.0 – 26.4	0.05	3000	30.00	0.15	27
CD247025HB	24	14.0 – 26.4	0.09	4000	39.90	0.27	37
CD247025XB	24	14.0 – 26.4	0.18	5500	54.80	0.50	45
CD247025UB	24	14.0 – 26.4	0.25	6500	64.76	0.70	49
CD487025LB	48	28.0 – 56.0	0.04	3000	30.00	0.15	27
CD487025HB	48	28.0 – 56.0	0.07	4000	39.90	0.27	37
CD487025XB	48	28.0 – 56.0	0.10	5500	54.80	0.50	45
CD487025UB	48	28.0 – 56.0	0.13	6500	64.76	0.70	49