



□ 80x80x15 mm



Frame: Plastic

Impeller: Plastic Material UL94V-0

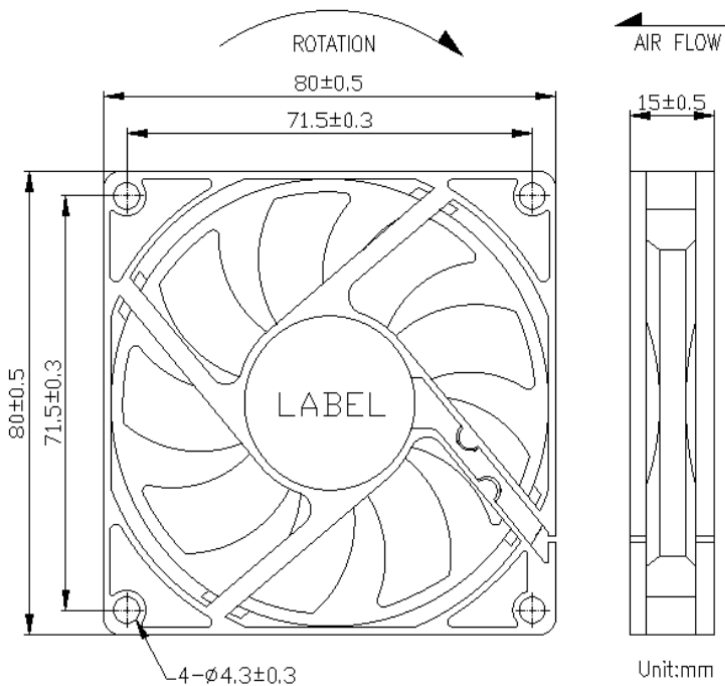
Ambient Temperature Range: -10°C ~ +70°C

Bearing: Ball, Sleeve bearing

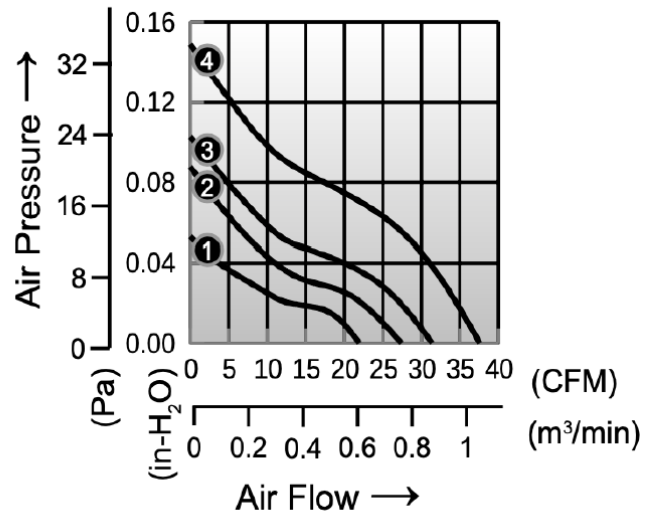
Motor Structure: DC Brushless Motor

Package: 54 g / PC

Dimension (units:mm)



Characteristic Curves



SPECIFICATION

Model	Voltage (V)	Operating Voltage Range(VDC)	Current (A)	Speed (RPM)	Air Flow (CFM)	Pressure (in-H ₂ O)	Noise (dB)
CD128015JB	12	7.0 – 13.2	0.06	2400	22.0	0.05	25
CD128015LB	12	7.0 – 13.2	0.10	2700	27.5	0.09	30
CD128015MB	12	7.0 – 13.2	0.12	3100	31.5	0.10	32
CD128015HB	12	7.0 – 13.2	0.16	3600	37.6	0.15	36
CD128015XB	12	7.0 – 13.2	0.30	4700	47.2	0.22	41
CD248015JB	24	14.0 – 26.4	0.04	2400	22.0	0.05	25
CD248015LB	24	14.0 – 26.4	0.06	2700	27.5	0.09	30
CD248015MB	24	14.0 – 26.4	0.08	3100	31.5	0.10	32
CD248015HB	24	14.0 – 26.4	0.10	3600	37.6	0.15	36