



# □ 80x80x20 mm



**Frame:** Plastic

**Impeller:** Plastic Material UL94V-0 P.B.T

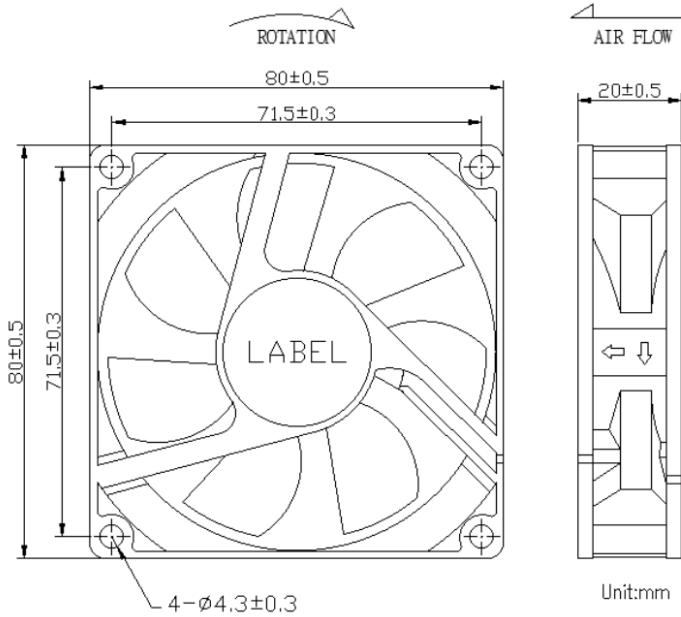
**Ambient Temperature Range:** -10°C ~ +70°C

**Bearing:** Sleeve or Ball

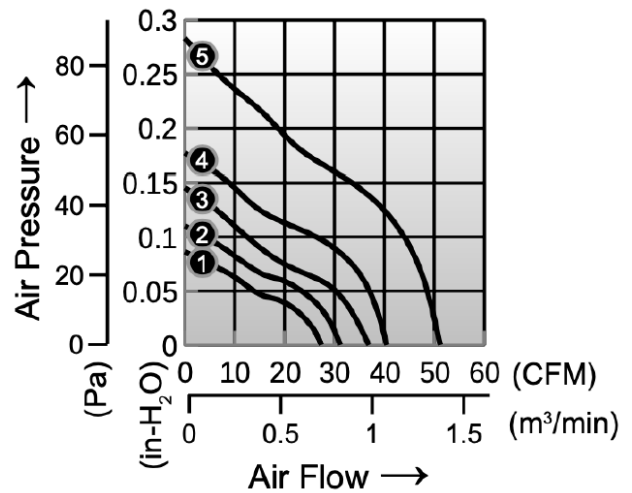
**Motor Structure:** DC Brushless Motor

**Package:** 76g / PC

## Dimension (units:mm)



## Characteristic Curves



## SPECIFICATION

Model	Voltage (V)	Operating Voltage Range(VDC)	Current (A)	Speed (RPM)	Air Flow (CFM)	Pressure (in-H <sub>2</sub> O)	Noise (dB)
CD128020JB	12	7.0 – 13.2	0.13	2400	27.4	0.09	25
CD128020LB	12	7.0 – 13.2	0.16	2700	31.2	0.11	29
CD128020MB	12	7.0 – 13.2	0.18	3100	36.9	0.15	34
CD128020HB	12	7.0 – 13.2	0.24	3400	40.5	0.18	36
CD128020XB	12	7.0 – 13.2	0.30	4300	51.2	0.28	43
CD248020JB	24	14.0 – 26.4	0.07	2400	27.4	0.09	25
CD248020MB	24	14.0 – 26.4	0.12	3100	36.9	0.15	34
CD248020XB	24	14.0 – 26.4	0.20	4300	51.2	0.28	43