



# □ 80x80x25 mm

**Frame:** Plastic

**Impeller:** Plastic Material UL94V-0

**Ambient Temperature Range:** -10°C ~ +70°C

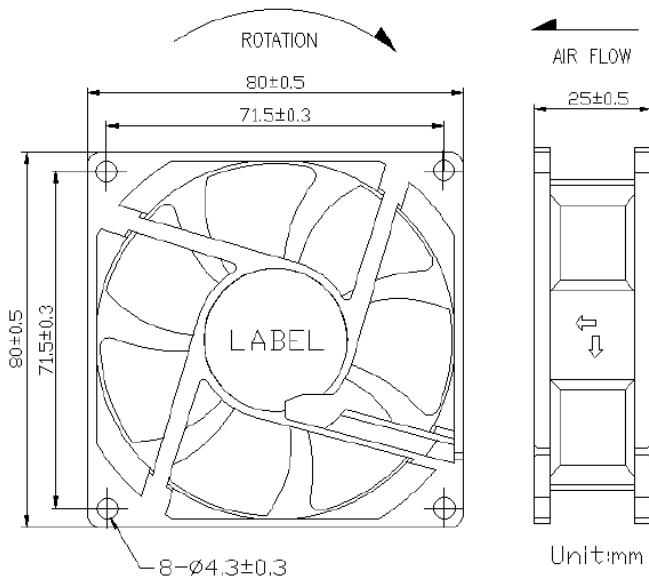
**Bearing:** Ball, Sleeve, FMB

**Motor Structure:** DC Brushless Motor

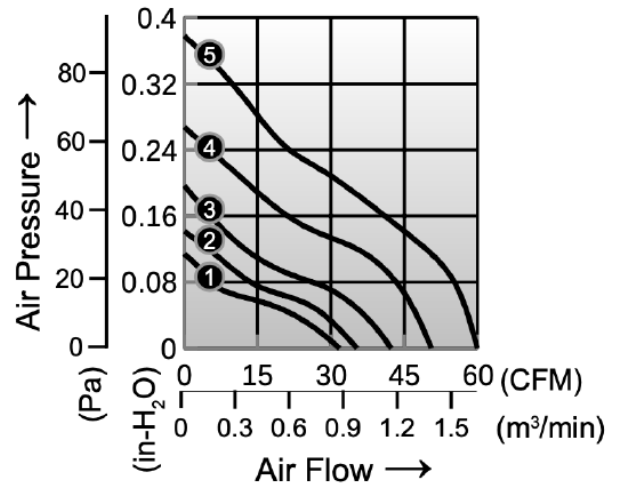
**Package:** 80 g / PC



## Dimension (units:mm)



## Characteristic Curves



## SPECIFICATION

Model	Voltage (V)	Operating Voltage Range(VDC)	Current (A)	Speed (RPM)	Air Flow (CFM)	Pressure (in-H2O)	Noise (dB)
CD058025XB	5	4.5 – 5.5	0.25	2700	31.8	0.11	28
CD128025LB	12	7.0 – 13.2	0.19	3000	35.4	0.14	33
CD128025MB	12	7.0 – 13.2	0.32	3600	42.40	0.20	38
CD128025HB	12	7.0 – 13.2	0.40	4300	50.50	0.27	43
CD128025XB	12	7.0 – 13.2	0.50	5000	60.00	0.38	48
CD248025LB	24	14.0 – 26.4	0.11	3000	35.4	0.14	33
CD248025MB	24	14.0 – 26.4	0.18	3600	42.40	0.20	38
CD248025HB	24	14.0 – 26.4	0.26	4300	50.50	0.27	43
CD248025XB	24	14.0 – 26.4	0.28	5000	60.00	0.38	48
CD488025HB	48	28.0 – 56.0	0.09	3600	42.40	0.20	38
CD488025XB	48	28.0 – 56.0	0.16	4300	50.50	0.27	43
CD488025UB	48	28.0 – 56.0	0.21	5000	60.00	0.38	48