



□ 80x80x32 mm

Frame: Plastic

Impeller: Plastic Material UL94V-0

Ambient Temperature Range: -10°C ~ +70°C

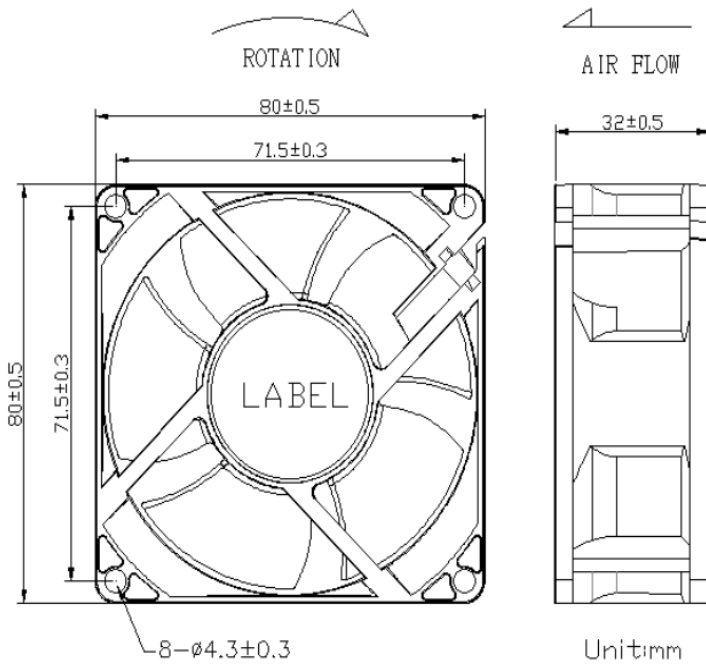
Bearing: Ball,

Motor Structure: DC Brushless Motor

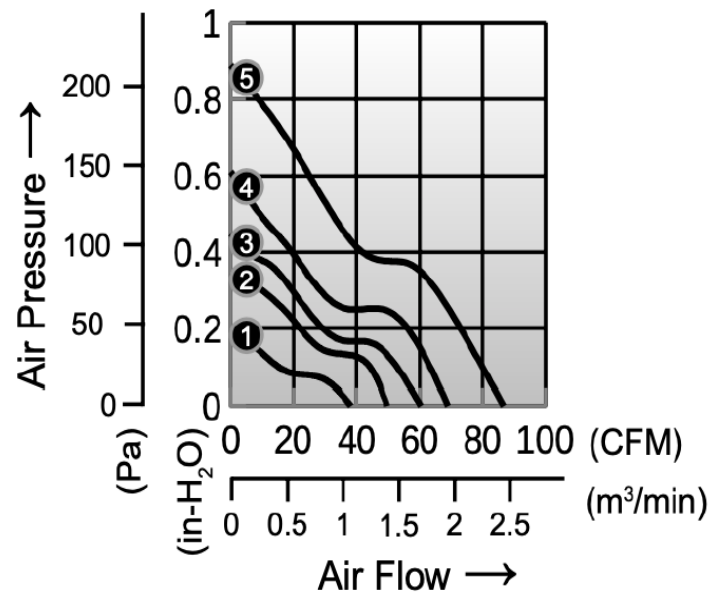
Package: 120 g / PC



Dimension (units:mm)



Characteristic Curves



SPECIFICATION

Model	Voltage (V)	Operating Voltage Range(VDC)	Current (A)	Speed (RPM)	Air Flow (CFM)	Pressure (in-H ₂ O)	Noise (dB)
CD128032JB	12	7.0 – 13.2	0.15	3000	38.2	0.20	31
CD128032LB	12	7.0 – 13.2	0.20	4000	49.7	0.35	39
CD128032MB	12	7.0 – 13.2	0.35	4800	60.4	0.45	45
CD128032HB	12	7.0 – 13.2	0.50	5500	69.1	0.61	48
CD128032XB	12	7.0 – 13.2	0.80	6800	86.7	0.89	54
CD248032JB	24	14.0 – 26.4	0.35	4800	60.4	0.45	45
CD248032LB	24	14.0 – 26.4	0.50	5500	69.1	0.61	48
CD248032MB	24	14.0 – 26.4	0.75	7000	89.2	0.98	55