



□ 80x80x38 mm

Frame: Plastic

Impeller: Plastic Material UL94V-0

Ambient Temperature Range: -10°C ~ +70°C

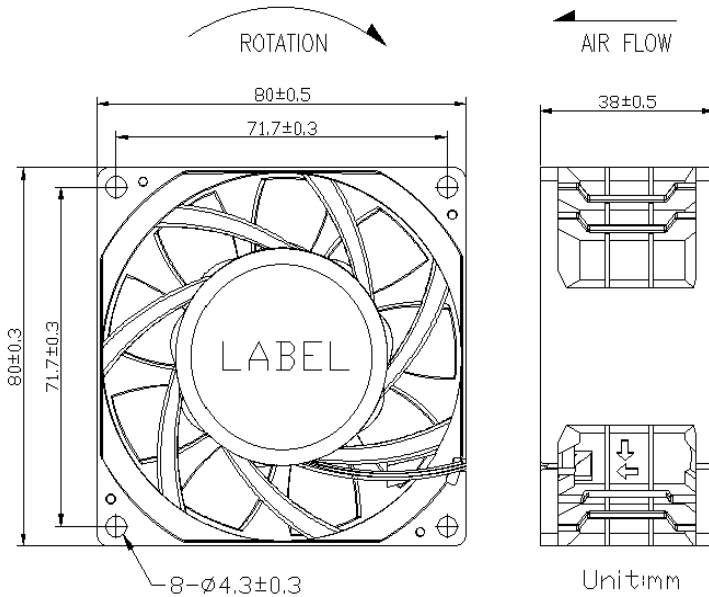
Bearing: Ball,

Motor Structure: DC Brushless Motor

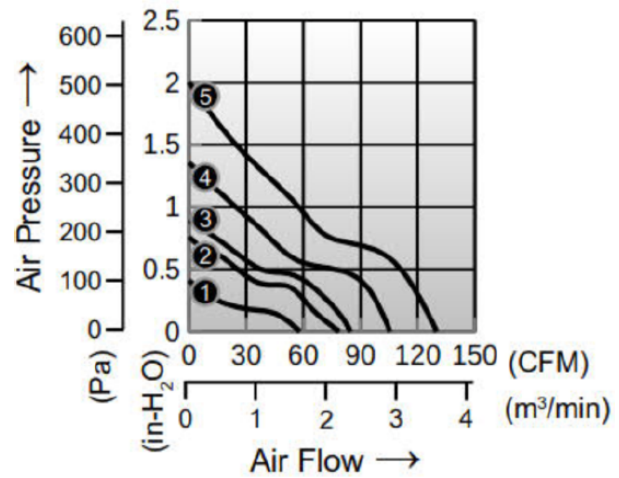
Package: 210 g / PC



Dimension (units:mm)



Characteristic Curves



SPECIFICATION

Model	Voltage (V)	Operating Voltage Range(VDC)	Current (A)	Speed (RPM)	Air Flow (CFM)	Pressure (in-H ₂ O)	Noise (dB)
CD128038LB	12	7.0 – 13.2	0.40	4200	58.20	0.41	45
CD128038MB	12	7.0 – 13.2	0.76	5600	78.80	0.76	53
CD128038HB	12	7.0 – 13.2	1.00	6100	84.80	0.89	56
CD128038XB	12	7.0 – 13.2	1.50	7500	105.50	1.36	62
CD128038UB	24	14.0 – 26.4	2.70	9000	130.00	2.00	66
CD248038HB	24	14.0 – 26.4	0.45	6100	84.80	0.89	56
CD248038XB	24	14.0 – 26.4	0.82	7500	105.50	1.36	62
CD248038UB	24	14.0 – 26.4	1.40	9000	130.00	2.00	66
CD488038HB	48	28.0 – 56.0	0.51	6100	84.80	0.89	56
CD488038XB	48	28.0 – 56.0	0.58	7500	105.50	1.36	62
CD488038UB	48	28.0 – 56.0	0.90	9000	130.00	2.00	66