



□ 92x92x25 mm

Frame: Plastic

Impeller: Plastic Material UL94V-0

Ambient Temperature Range: -10°C ~ +70°C

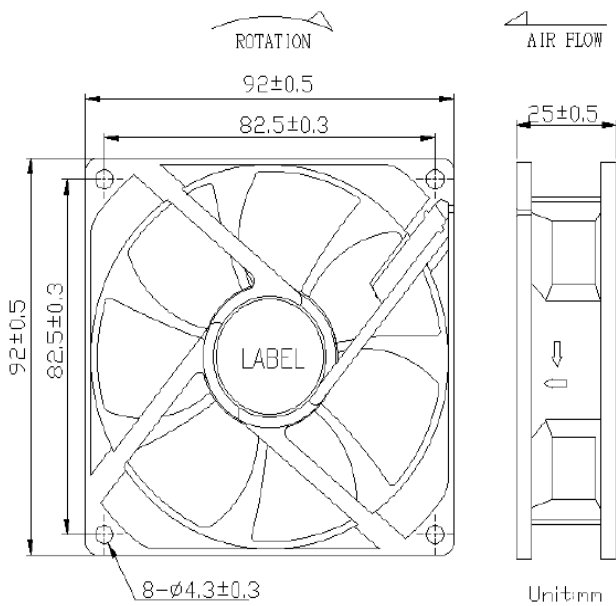
Bearing: Ball bearing/FMB

Motor Structure: DC Brushless Motor

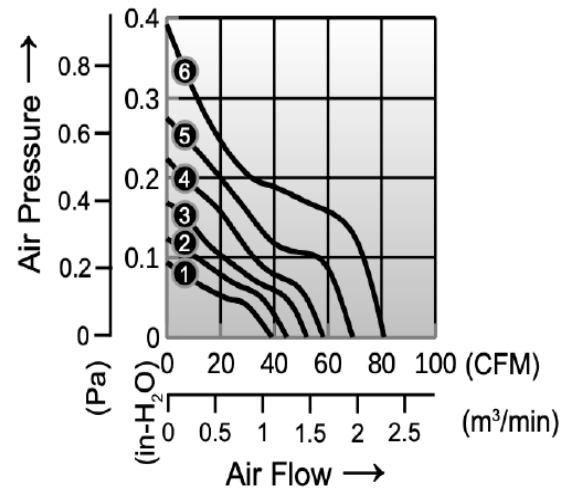
Package: 89g / PC



Dimension (units:mm)



Characteristic Curves



SPECIFICATION

Model	Voltage (V)	Operating Voltage Range(VDC)	Current (A)	Speed (RPM)	Air Flow (CFM)	Pressure (in-H ₂ O)	Noise (dB)
CDC129225HB	12	7.0 – 13.2	0.20	3200	58.3	0.22	38
CDC129225XB	12	7.0 – 13.2	0.30	3800	69.2	0.28	45
CDC120925UB	12	7.0 – 13.2	0.41	4500	81.0	0.40	49
CDC240925MB	24	14.0 – 26.4	0.13	2850	52.1	0.17	34
CDC240925HB	24	14.0 – 26.4	0.15	3200	58.3	0.22	38
CDC240925XB	24	14.0 – 26.4	0.20	3800	69.2	0.28	45
CDC480925MB	48	28.0 – 56.0	0.08	2850	52.1	0.17	34
CDC480925HB	48	28.0 – 56.0	0.12	3200	58.3	0.22	38
CDC480925XB	48	28.0 – 56.0	0.15	3800	69.2	0.28	45