

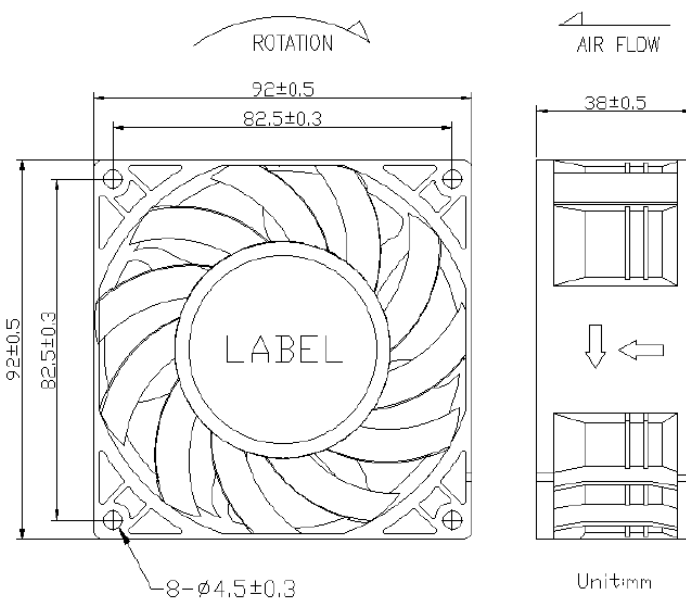


□ 92x92x38 mm

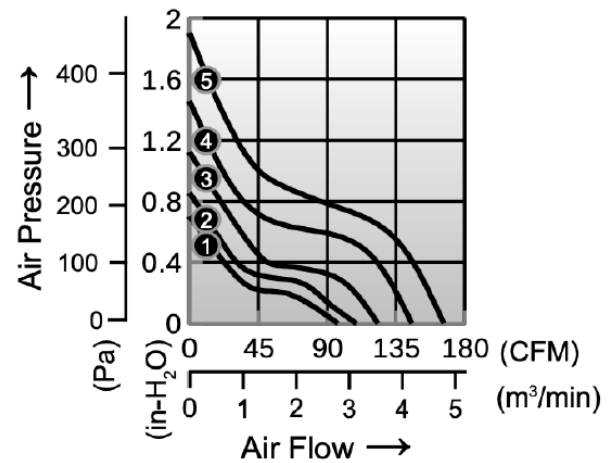
- Frame:** Plastic
- Impeller:** Plastic Material UL94V-0
- Ambient Temperature Range:** -10°C ~ +70°C
- Bearing:** Ball bearing
- Motor Structure:** DC Brushless Motor
- Package:** 200g / PC



Dimension (units:mm)



Characteristic Curves



SPECIFICATION

Model	Voltage (V)	Operating Voltage Range(VDC)	Current (A)	Speed (RPM)	Air Flow (CFM)	Pressure (in-H ₂ O)	Noise (dB)
CD129238HB	12	7.0 – 13.2	1.20	6000	123.4	1.12	64
CD129238XB	12	7.0 – 13.2	2.50	7000	145.6	1.46	67
CD129238UB	12	7.0 – 13.2	2.95	8000	166.4	1.91	72
CD249238HB	24	14.0 – 26.4	0.76	6000	123.4	1.12	64
CD249238XB	24	14.0 – 26.4	1.10	7000	145.6	1.46	67
CD249238UB	24	14.0 – 26.4	1.70	8000	166.4	1.91	72
CD489238HB	48	28.0 – 56.0	0.41	6000	123.4	1.12	64
CD489238XB	48	28.0 – 56.0	0.72	7000	145.6	1.46	67
CD489238UB	48	28.0 – 56.0	0.94	8000	166.4	1.91	72