



□ 172x150x51mm



**Frame:** Aluminum

**Impeller:** Steel

**Ambient Temperature Range:** -10°C ~ +70°C

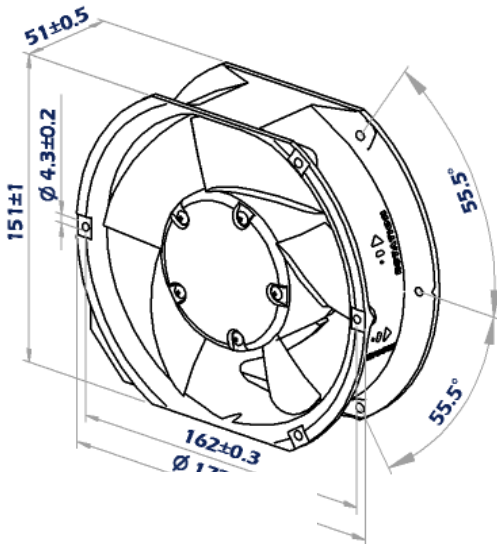
**Bearing:** Ball **IP54**

**Motor Structure:** DC Permanent Magnet Brushless

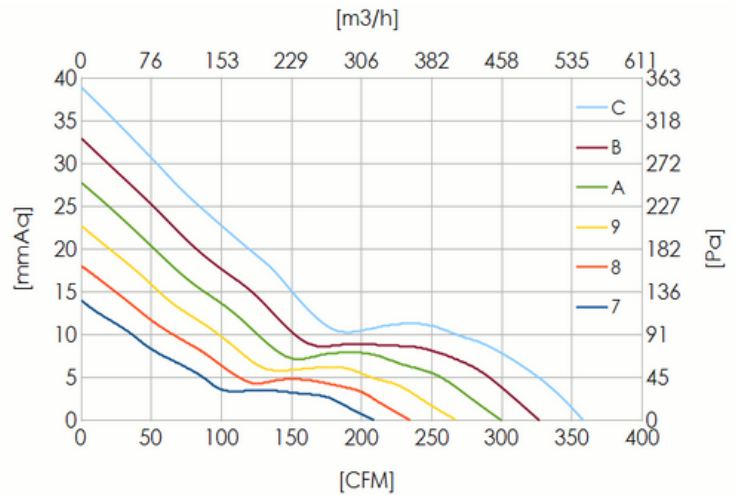
**Termination:** Terminal or Lead Wire

**Package:** 1100 g / PC, 12PCS/CTN

Dimension (units:mm)



Characteristic Curves



**SPECIFICATION**

Model	Voltage (V)	Current (A)	Speed (RPM)	Air Flow (CFM)	Pressure (mmAq)	Noise (dB)	Curve NO.
CDMx1751LB	12/24/48	1.17/0.56/0.28	2800	210	14.2	52	7
CDMx1751MB	12/24/48	1.6/0.77/0.39	3200	245	18.1	56	8
CDMx1751HB	12/24/48	2.39/1.07/0.51	3600	275	22.7	60	9
CDMx1751UB	12/24/48	2.76/1.38/0.69	4000	310	27.8	64	A
CDMx1751VB	24/48	1.8/0.9	4400	340	32.9	68	B
CDMx1751WB	24/48	2.30/1.18	4800	360	37.8	72	C

x: 12(12V),24(24V),48(48V)

DC Axial Fan