



□ **172x150x55mm**



Frame: Aluminum

Impeller: Steel

Ambient Temperature Range: -10°C ~ +70°C

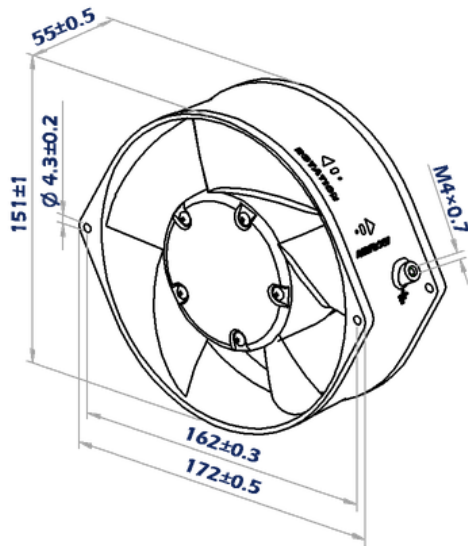
Bearing: Ball **IP54**

Motor Structure: DC Permanent Magnet Brushless

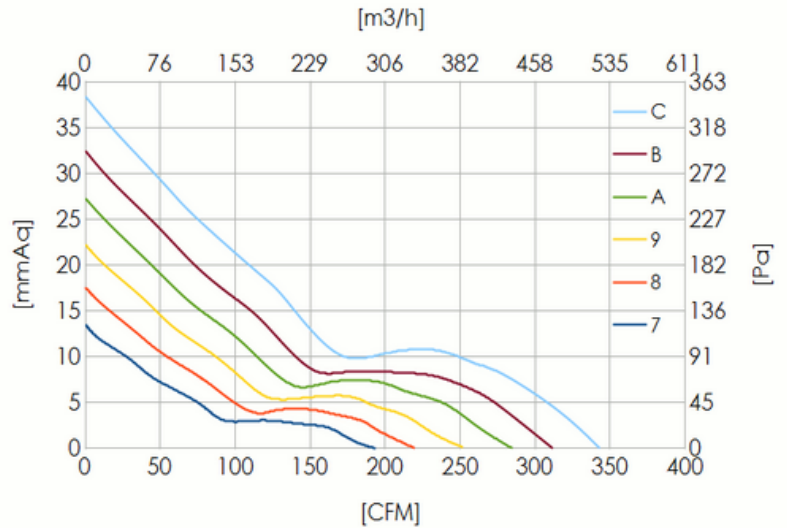
Termination: Terminal or Lead wire

Package: 1040 g / PC, 12PCS/CTN

Dimension (units:mm)



Characteristic Curves



SPECIFICATION

Model	Voltage (V)	Current (A)	Speed (RPM)	Air Flow (CFM)	Pressure (mmAq)	Noise (dB)	Curve NO.
CDMx1755LB	12/24/48	1.17/0.56/0.28	2800	195	12.1	59	7
CDMx1755MB	12/24/48	1.6/0.77/0.39	3200	230	15.9	62	8
CDMx1755HB	12/24/48	2.39/1.07/0.51	3600	260	20.5	65	9
CDMx1755UB	12/24/48	2.76/1.38/0.69	4000	295	25.6	68	A
CDMx1755VB	24/48	1.8/0.9	4400	325	30.7	71	B
CDMx1755WB	24/48	2.3/1.18	4800	345	35.7	74	C

x: 12(12V),24(24V),48(48V)

DC Axial Fan