



□ 172x51mm



Frame: Aluminum

Impeller: Steel

Ambient Temperature Range: -10°C ~ +70°C

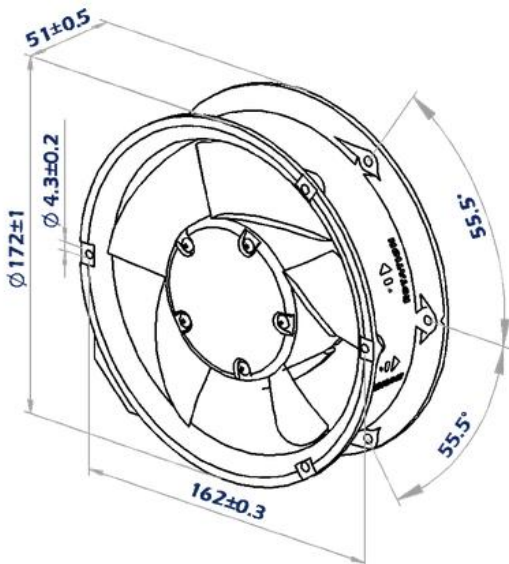
Bearing: Ball **IP54**

Motor Structure: DC Permanent Magnet Brushless

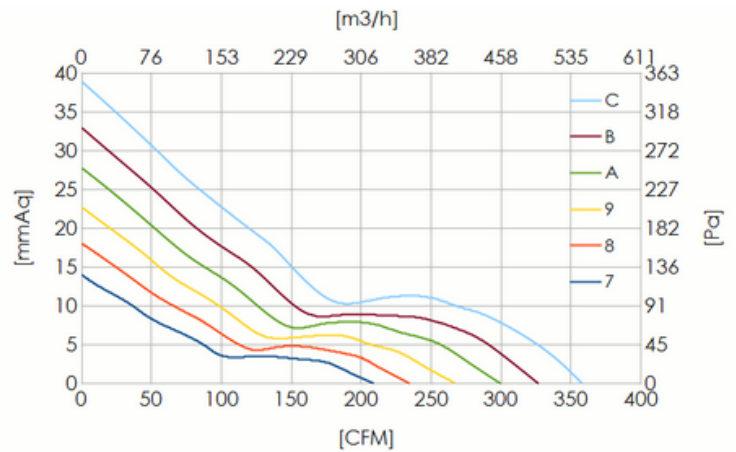
Termination: Terminal or Lead Wire

Package: 1100 g / PC, 12PCS/CTN

Dimension (units:mm)



Characteristic Curves



SPECIFICATION

Model	Voltage (V)	Current (A)	Speed (RPM)	Air Flow (CFM)	Pressure (mmAq)	Noise (dB)	Curve NO.
CDMx1751LBØ	12/24/48	1.17/0.56/0.28	2800	210	14.2	52	7
CDMx1751MBØ	12/24/48	1.6/0.77/0.39	3200	245	18.1	56	8
CDMx1751HBØ	12/24/48	2.39/1.07/0.51	3600	275	22.7	60	9
CDMx1751UBØ	12/24/48	2.76/1.38/0.69	4000	310	27.8	64	A
CDMx1751VBØ	24/48	1.8/0.9	4400	340	32.9	68	B
CDMx1751WBØ	24/48	2.3/1.18	4800	360	37.8	72	C

x: 12(12V),24(24V),48(48V)

DC Axial Fan