



# □ 180x180x65 mm



**Frame:** Aluminum

**Impeller:** All metal fan blades, high impact, high performance metal impeller

**Ambient Temperature Range:** -20°C ~ +65°C

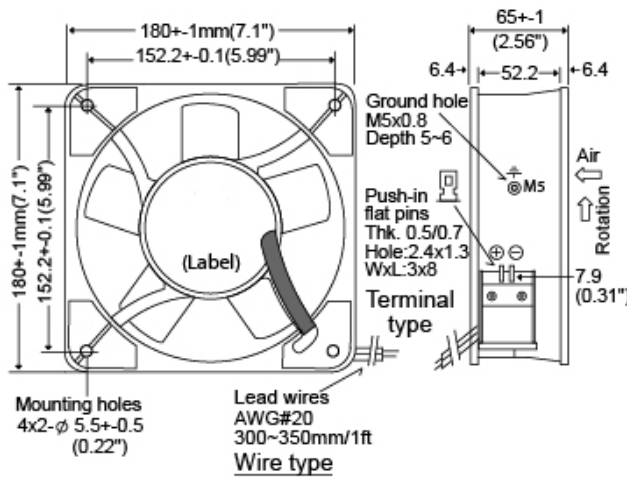
**Bearing:** Ball

**Motor Structure:** DC Brushless Motor

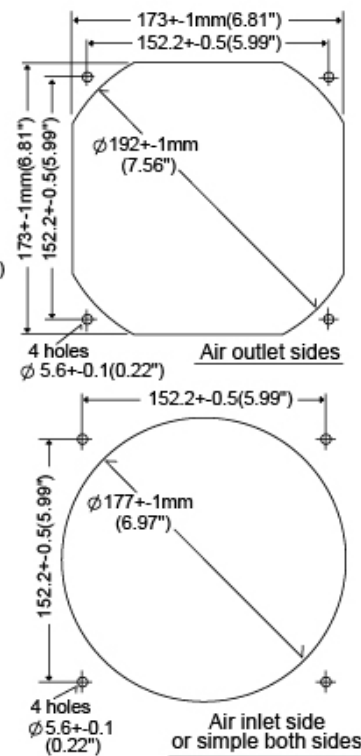
**Termination:** Lead wire 300 mm

**Package:** 1400g / PC

## Dimension (units:mm)



## Dimensions of installation holes



## SPECIFICATION

| Model      | Voltage (V) | Current (A)   | Power (W)      | Speed (RPM) | Air Flow (CFM) | Pressure (in-H <sub>2</sub> O) | Noise (dB) |
|------------|-------------|---------------|----------------|-------------|----------------|--------------------------------|------------|
| CDMx1865LB | 12/24/48    | 0.45/0.2/0.12 | 5.5/5/5.8      | 1600        | 220            | 0.38                           | 38         |
| CDMx1865MB | 12/24/48    | 1.1/0.52/0.3  | 13.2/13/14.5   | 2200        | 295            | 0.55                           | 49         |
| CDMx1865HB | 12/24/48    | 1.9/0.97/0.48 | 23/24/23.5     | 2800        | 360            | 0.72                           | 58         |
| CDMx1865UB | 12/24/48    | 4.2/2.1/1.03  | 50.4/50.4/49.4 | 3400        | 440            | 0.82                           | 62         |
| CDMx1865VB | 12/24/48    | 5.4/2.65/1.3  | 64.8/63.6/62.4 | 3700        | 475            | 0.87                           | 64         |

x: 12(12V),24(24V),48(48V)