



□ 200x70 mm



Frame: Aluminum

Impeller: All metal fan blades, high impact, high performance metal impeller

Ambient Temperature Range: -20°C ~ +65°C

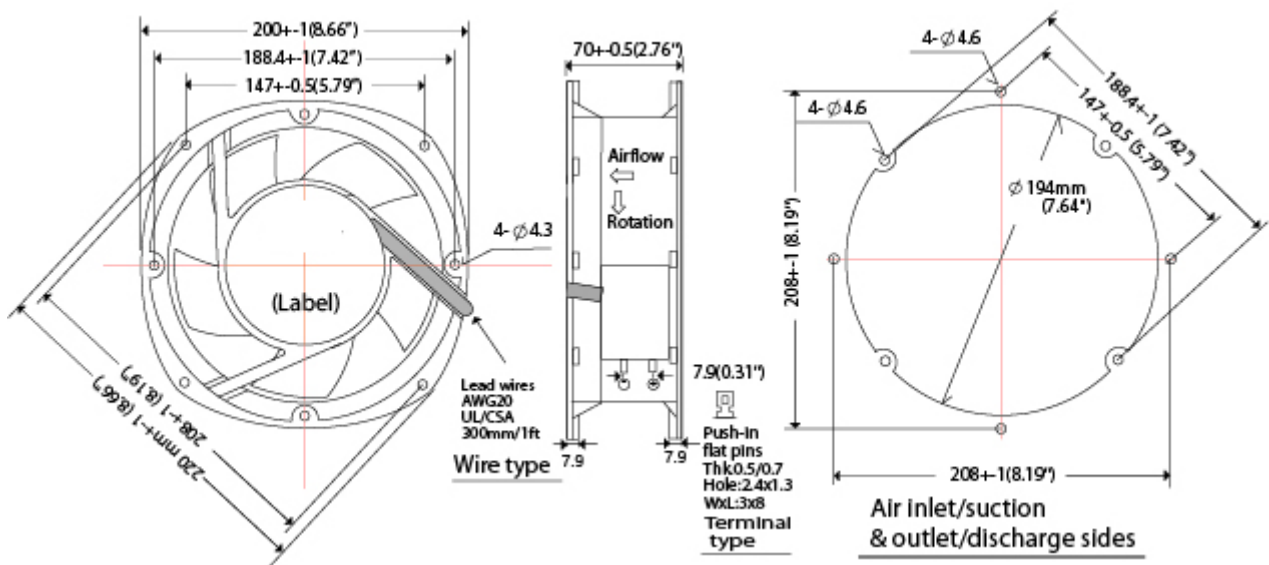
Bearing: Ball

Motor Structure: DC Brushless Motor

Termination: Lead wire 300 mm or terminal

Package: 1800g / PC

Dimension (units:mm)



SPECIFICATION

Model	Voltage (V)	Current (A)	Power (W)	Speed (RPM)	Air Flow (CFM)	Pressure (in-H ₂ O)	Noise (dB)
CDMx2070LB	12/24/48	0.45/0.2/0.12	5.5/5/5.8	1900	330	0.65	43
CDMx2070MB	12/24/48	1.1/0.52/0.3	13.2/13/14.5	2500	430	0.95	55
CDMx2070HB	12/24/48	1.9/0.97/0.48	23/24/23.5	2800	395	0.88	64
CDMx2070UB	12/24/48	4.2/2.1/1.03	50.4/50.4/49.4	3100	420	0.98	66
CDMx2070VB	12/24/48	5.4/2.65/1.3	64.8/63.6/62.4	3300	440	1.05	68

x: 12(12V),24(24V),48(48V)

DC Axial Fan