



# □225x225x80 mm (□9x9x3.1 in)



**Frame:** Die cast aluminum

**Impeller:** Steel

**Ambient Temperature Range:** -10°C ~ +70°C

**Motor Structure:** DC Permanent Magnet Brushless

**Motor protection:** Locked Rotor Protection and Polarity Protection

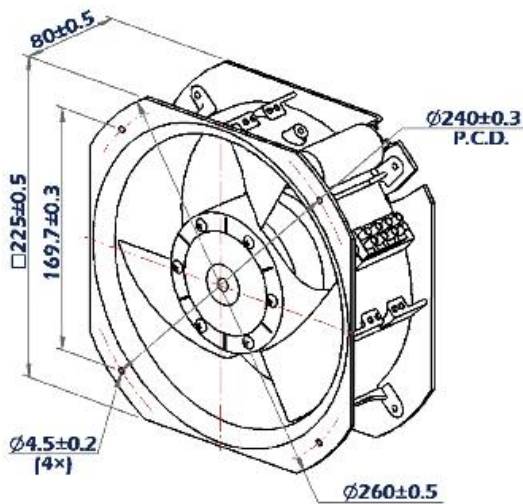
**Protection Grade:** Insulation Class B, **IP54** option (IP67 rated)

**Option:** RD, FG, PWM/ 0-10 Speed control

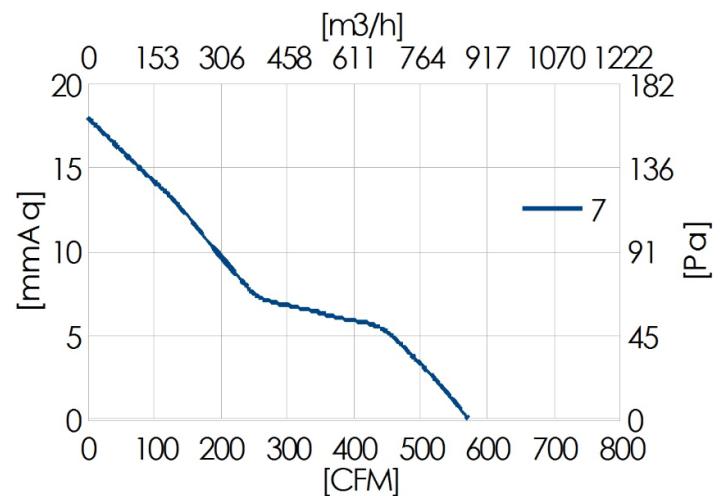
**Connection:** Terminal block or Lead wire

**Package:** 2530g / PC

## Dimension (units:mm)



## Characteristic Curves



## SPECIFICATION

Model	Voltage (V)	Current (A)	Speed (RPM)	Air Flow (CFM)	Pressure (mmAq)	Noise (dB)
CDMx2280HB	24/48	2.2/1.1	2800	580	18	67

**x: 12(12V),24(24V),48(48V)**