



□ 280x280x88.9 mm



Frame: Aluminum

Impeller: All metal fan blades

Ambient Temperature Range: -20°C ~ +65°C

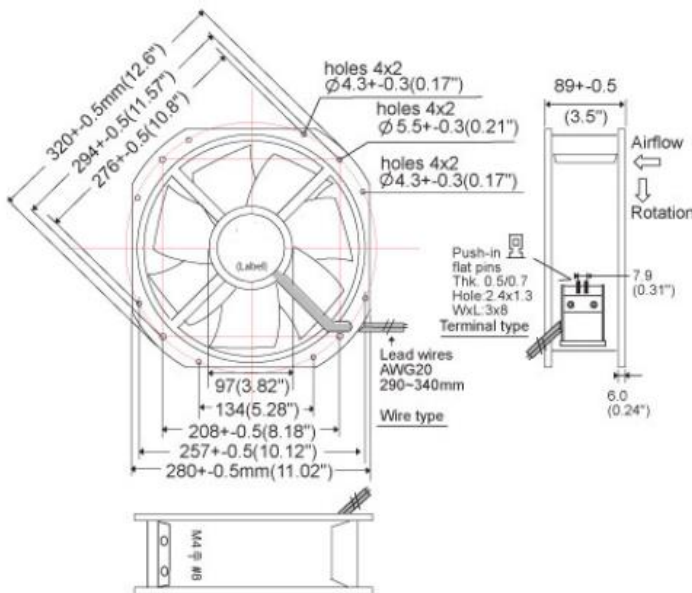
Bearing: Ball

Motor Structure: Microprocessor brushless DC Motor, auto cutoff, auto restart

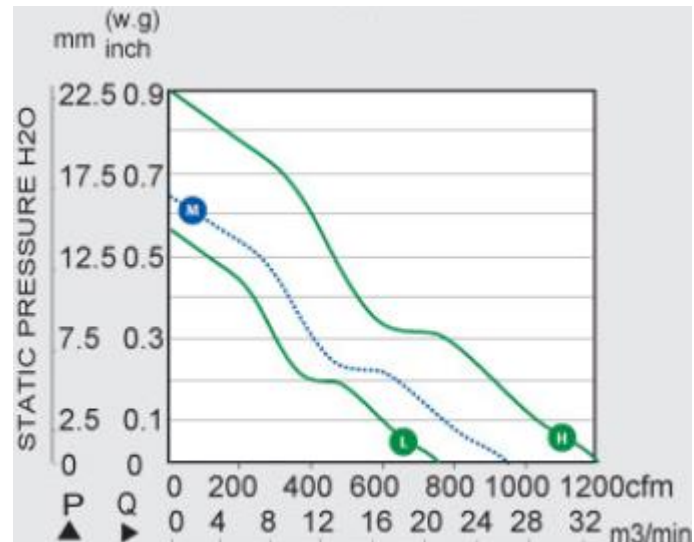
Termination: Lead wire 290 mm

Package: 2950g / PC

Dimension (units:mm)



Characteristic Curves



SPECIFICATION

Model	Voltage (V)	Current (A)	Power (W)	Speed (RPM)	Air Flow (CFM)	Pressure (in-H ₂ O)	Noise (dB)
CDMx2889LB	12/24/48	2.2/1.1/0.55	26.4	1800	780	0.51	48
CDMx2889MB	12/24/48	4.9/2.45/1.2	58.8/58.8/57.6	2200	950	0.65	56
CDMx2889HB	12/24/48	8.7/4.35/2.2	104/104/105	2500	1150	0.9	72

x: 12(12V),24(24V),48(48V)