

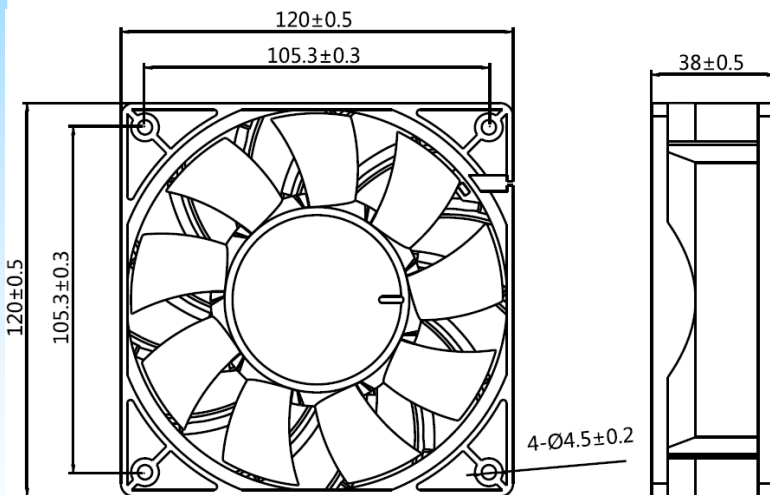


□ 120x120x38 mm

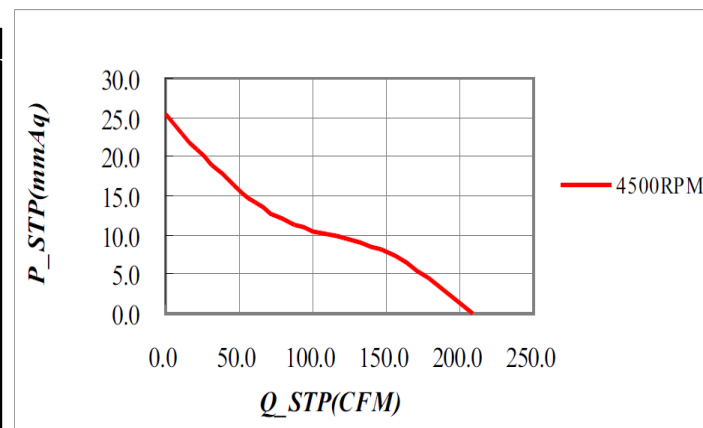


- Frame:** Thermoplastic PBT UL 94V-0
- Impeller:** Thermoplastic PBT 94V-0
- Ambient Temperature Range:** -10°C ~ +70°C
- Bearing:** Ball or Sleeve
- Termination:** Terminals or Lead wire
- Weight:** 294 g

Dimension (units:mm)



Characteristic Curves



SPECIFICATION

Model	Voltage (V)	Operating Range(V)	Freq. (Hz)	Power (W)	Speed (RPM)	Air Flow (CFM)	Air Flow (m3/min)	Pressure (in-H2O)	Noise (dB)
CYE11238SB	110	80-135	50/60	30	4500	209	5.94	1.0	64
CYE21238SB	220	180-265							

- If you want another RPM or Voltage or Functions which not in the list. Please contact with us. We can customize for you.
- Specifications are subject to change without notice.

EC Axial Fan