



□ 171x50 mm



**Frame:** Aluminum

**Impeller:** Thermoplastic PBT 94V-0

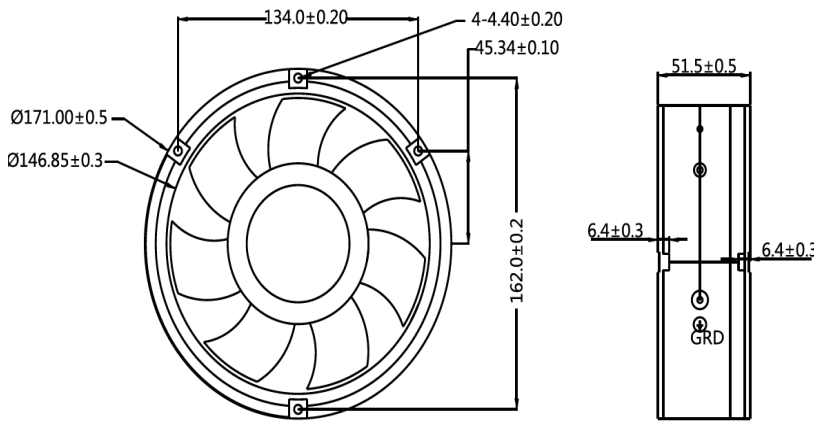
**Ambient Temperature Range:** -10°C ~ +70°C

**Bearing:** Ball

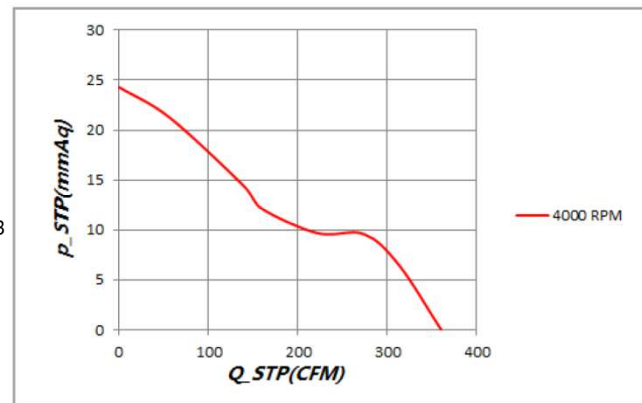
**Termination:** Terminals or Lead wire

**Weight:** 690 g

Dimension (units:mm)



Characteristic Curves



**SPECIFICATION**

Model	Voltage (V)	Operating Range(V)	Freq. (Hz)	Power (W)	Speed (RPM)	Air Flow (CFM)	Air Flow (m3/min)	Pressure (in-H2O)	Noise (dB)
CYE11750HB	110	80-135	50/60	61	4000	360	10.21	0.96	67
CYE21750HB	220	180-265		60					

- If you want another RPM or Voltage or Functions which not in the list. Please contact with us. We can customize for you.
- Specifications are subject to change without notice.

EC Axial Fan