



□ 200x200x60 mm



**Frame:** Aluminum

**Impeller:** Thermoplastic PBT 94V-0

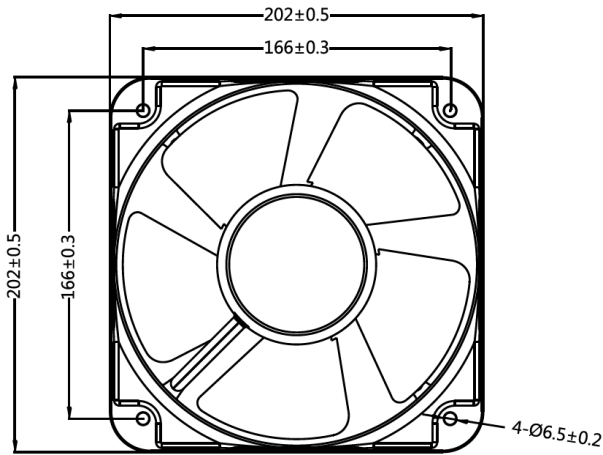
**Ambient Temperature Range:** -10°C ~ +70°C

**Bearing:** Ball

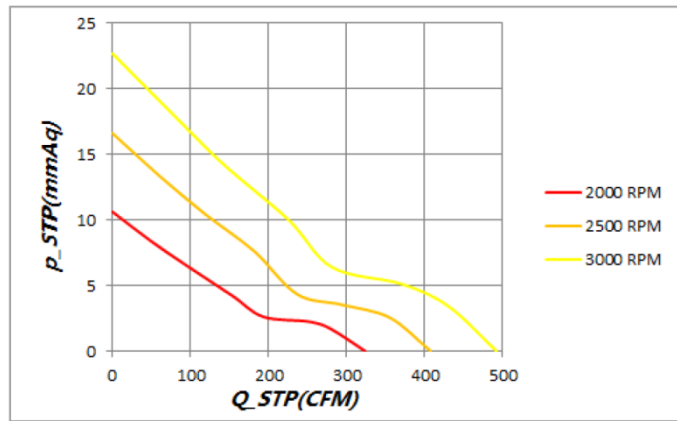
**Termination:** Terminals or Lead wire

**Weight:** 2800 g

Dimension (units:mm)



Characteristic Curves



**SPECIFICATION**

	Voltage (V)	Operating Range (V)	Freq. (Hz)	Power (W)	Speed (RPM)	Air Flow (CFM)	Air Flow (m3/min)	Pressure (in-H2O)	Noise (dB)
CYE12060LB	110	80-135	50/60	40	2000	324	9.17	0.42	58
CYE12060MB	110	80-135	50/60	50	2500	407	11.55	0.65	62
CYE12060HB	110	80-135	50/60	70	3000	492	13.94	0.89	68
CYE22060LB	220	180-265	50/60	40	2000	324	9.17	0.42	58
CYE22060MB	220	180-265	50/60	50	2500	407	11.55	0.65	62
CYE22060HB	220	180-265	50/60	70	3000	492	13.94	0.89	68

- If you want another RPM or Voltage or Functions which not in the list. Please contact with us. We can customize for you.
- Specifications are subject to change without notice.

EC Axial Fan