



□ 254x89 mm



Frame: Aluminum

Impeller: Thermoplastic PBT 94V-0

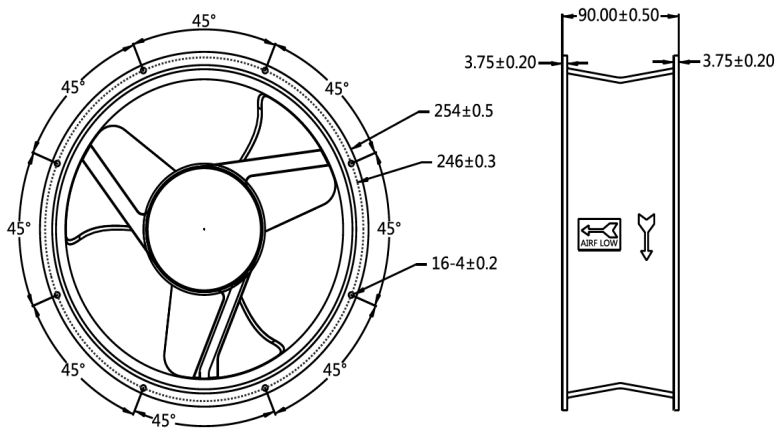
Ambient Temperature Range: -10°C ~ +70°C

Bearing: Ball

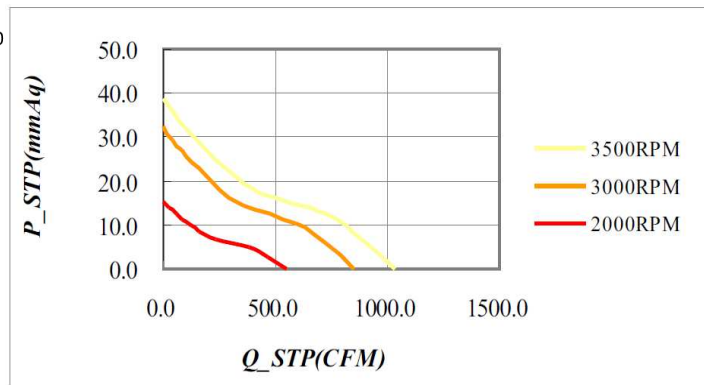
Termination: Terminals or Lead wire

Weight: 2600 g

Dimension (units:mm)



Characteristic Curves



SPECIFICATION

	Voltage (V)	Operating Range (V)	Freq. (Hz)	Power (W)	Speed (RPM)	Air Flow (CFM)	Air Flow (m3/min)	Pressure (in-H2O)	Noise (dB)
CYE12589LB	110	80-135	50/60	31	2000	548	15.58	0.61	66
CYE12589MB	110	80-135	50/60	95	3000	847	24.07	1.28	75
CYE12589HB	110	80-135	50/60	145	3500	1035	29.4	1.52	80
CYE22589LB	220	180-265	50/60	35	2000	548	15.58	0.61	66
CYE22589MB	220	180-265	50/60	100	3000	847	24.07	1.28	75
CYE22589HB	220	180-265	50/60	150	3500	1035	29.4	1.52	80

- If you want another RPM or Voltage or Functions which not in the list. Please contact with us. We can customize for you.
- Specifications are subject to change without notice.

EC Axial Fan