



□ 113x37mm  
 (□ 4.44x1.45 in)



**Impeller:** Glass fiber reinforced plastic (UL94V-0)

**Ambient Temperature Range:** -20°C ~ +70°C

**Operating Voltage Range:** Rated Voltage ±10%

**Bearing:** Ball bearing

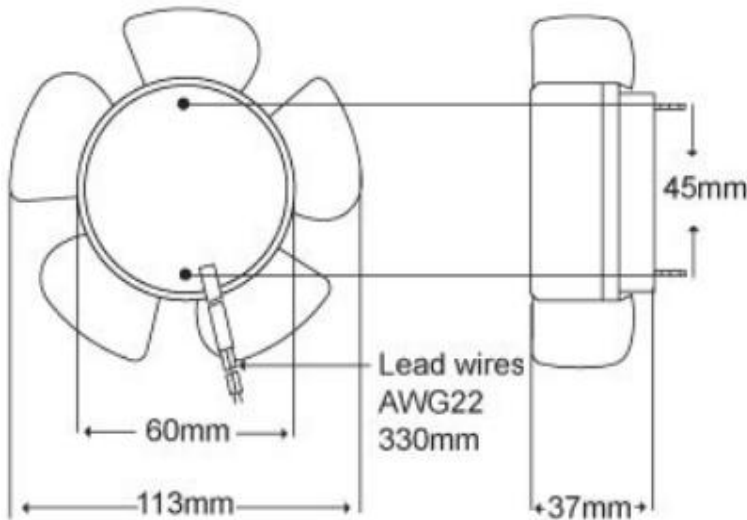
**Motor Structure:** Shaded pole induction

**Motor protection:** Impedance Protected

**Termination:** Lead wire

**Package:** 490g / PC

### Dimension (units:mm)



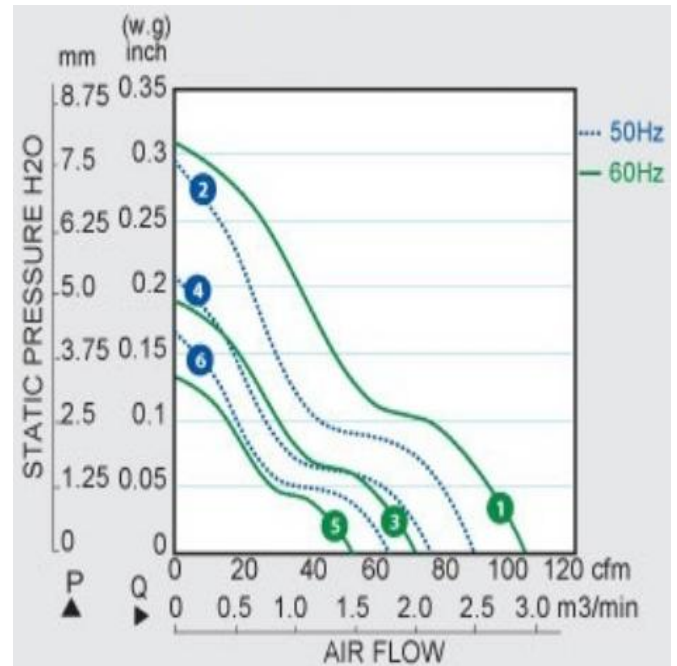
Mounting screw x 2

M3.5 x 0.6P

L: 13+-1mm

\*Screw Length can be changed to meet customer requirement.

### Characteristic Curves



## SPECIFICATION

Model	Voltage (V)	Freq. (Hz)	Power (W)	Speed (RPM)	Air Flow (CFM)	Pressure (mm Aq)	Noise (dB)
CYS11337HB	115	50/60	17/15	2500/2700	85/101	7.37/8.13	43
CYS21337HB	230	50/60	17/15	2500/2700	85/101	7.37/8.13	43