



□ 120x40mm  
 (□ 4.72x1.57 in)



**Impeller:** Glass fiber reinforced plastic (UL94V-0)

**Ambient Temperature Range:** -20°C ~ +70°C

**Operating Voltage Range:** Rated Voltage ±10%

**Bearing:** Ball bearing

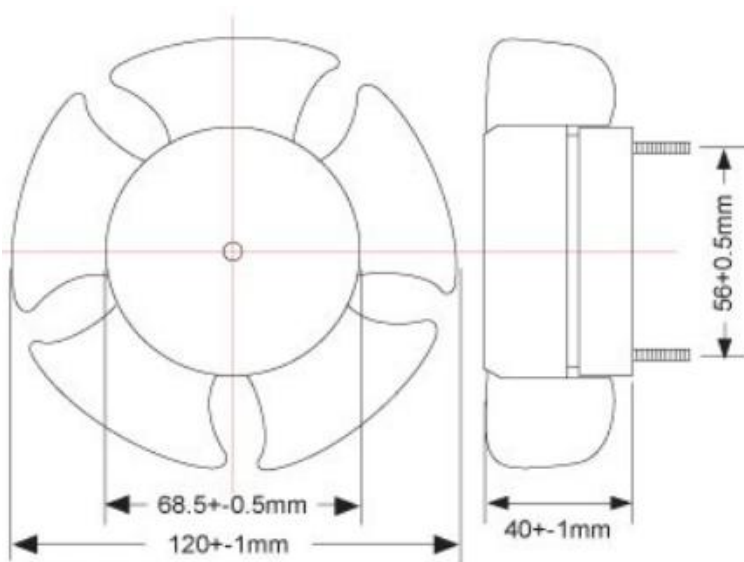
**Motor Structure:** Shaded pole induction

**Motor protection:** Impedance Protected

**Termination:** Lead wire

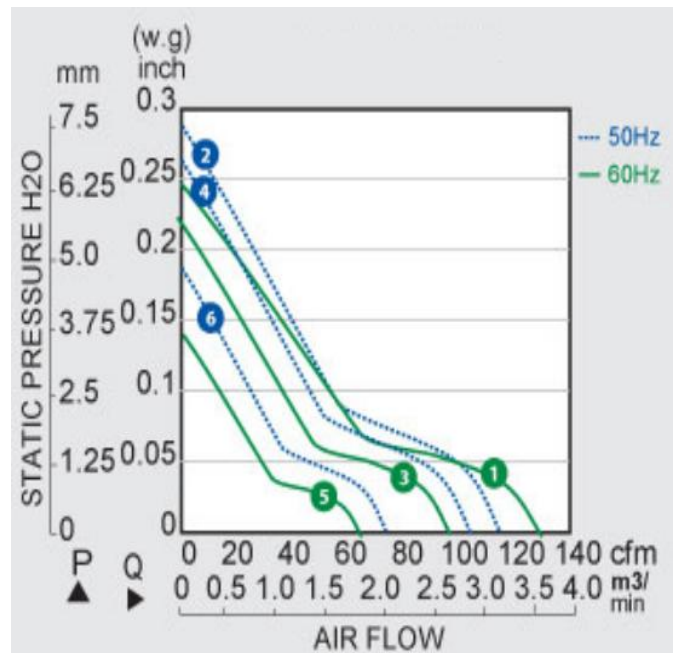
**Package:** 410g / PC

### Dimension (units:mm)



Mounting screw x 2  
 M3.5 x 0.6P  
 L: 12±3mm  
 \*Screw Length can be changed  
 to meet customer requirement.

### Characteristic Curves



## SPECIFICATION

Model	Voltage (V)	Freq. (Hz)	Power (W)	Speed (RPM)	Air Flow (CFM)	Pressure (mm Aq)	Noise (dB)
CYS11240HB	115	50/60	16/14	2400/2300	115/130	7.37/6.35	46
CYS21240HB	230	50/60	16/14	2400/2300	115/130	7.37/6.35	46

AC Skeleton Fan