



□ 143x50mm
 (□ 5.62x1.96 in)



Impeller: Glass fiber reinforced plastic (UL94V-0)

Ambient Temperature Range: -30°C ~ +70°C

Operating Voltage Range: Rated Voltage ±10%

Bearing: Ball bearing

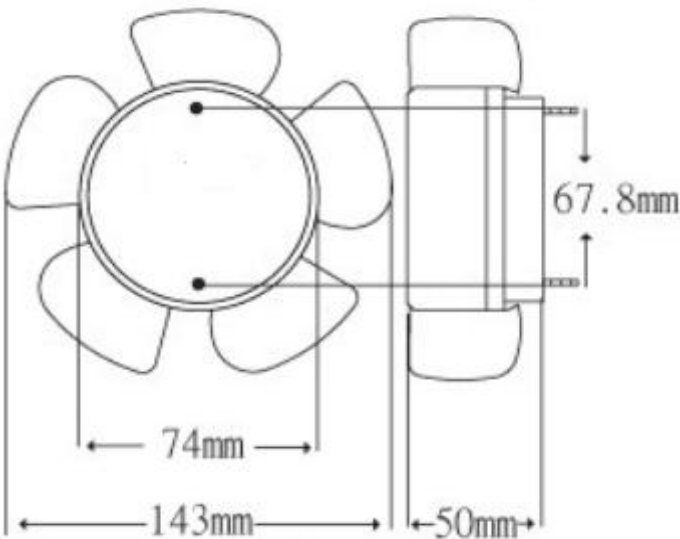
Motor Structure: Shaded pole induction

Motor protection: Impedance Protected

Termination: Lead wire

Package: 910g / PC

Dimension (units:mm)



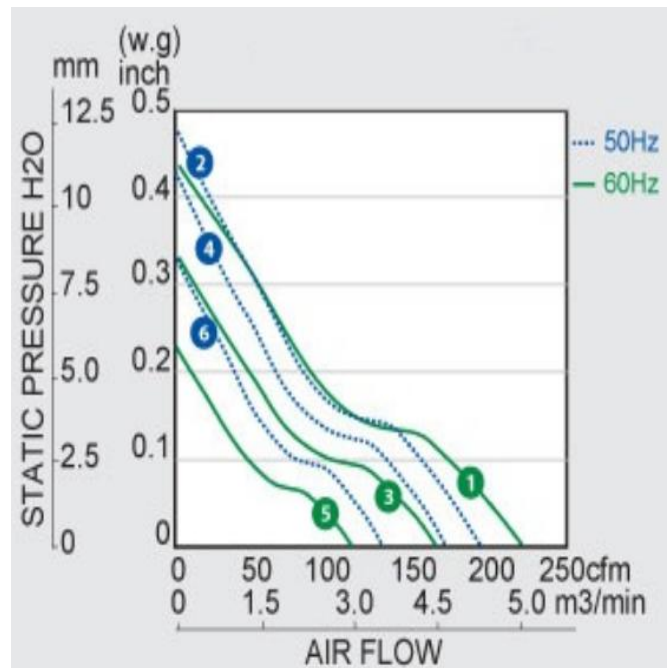
Mounting screw x 2

M3.5 x 0.6P

L: 8.2±1mm

*Screw Length can be changed to meet customer requirement.

Characteristic Curves



SPECIFICATION

Model	Voltage (V)	Freq. (Hz)	Power (W)	Speed (RPM)	Air Flow (CFM)	Pressure (mm Aq)	Noise (dB)
CYS11450HB	115	50/60	30/26	2500/2800	183/210	11.94/10.92	47
CYS21450HB	230	50/60	30/26	2500/2800	183/210	11.94/10.92	47