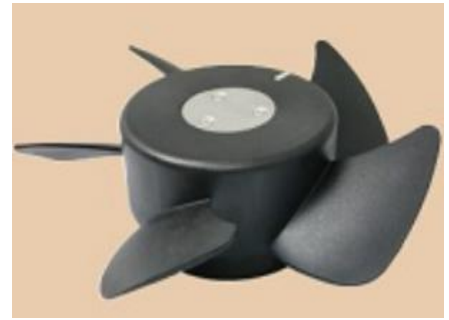




□ 193x68mm  
 (□ 7.59x2.67 in)



**Impeller:** Glass fiber reinforced plastic (UL94V-0)

**Ambient Temperature Range:** -20°C ~ +70°C

**Operating Voltage Range:** Rated Voltage ±10%

**Bearing:** Ball bearing

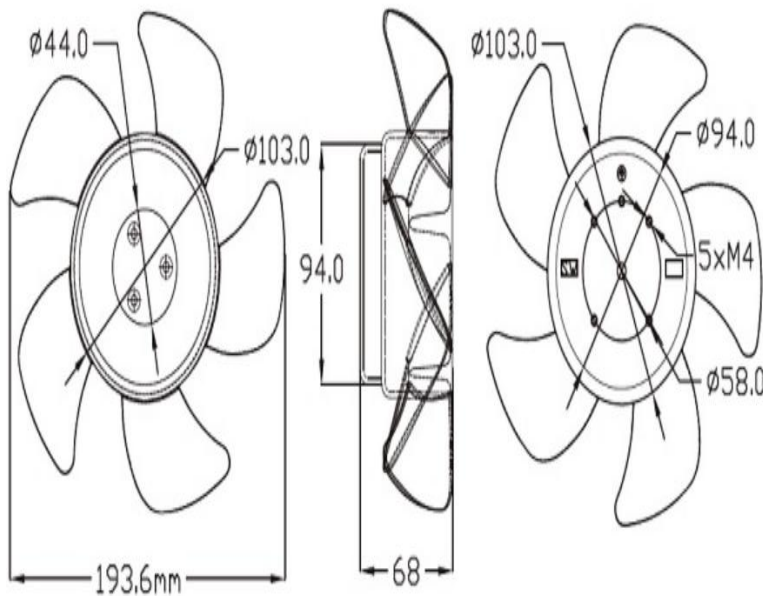
**Motor Structure:** Capacitor induction

**Motor protection:** Thermal Protected

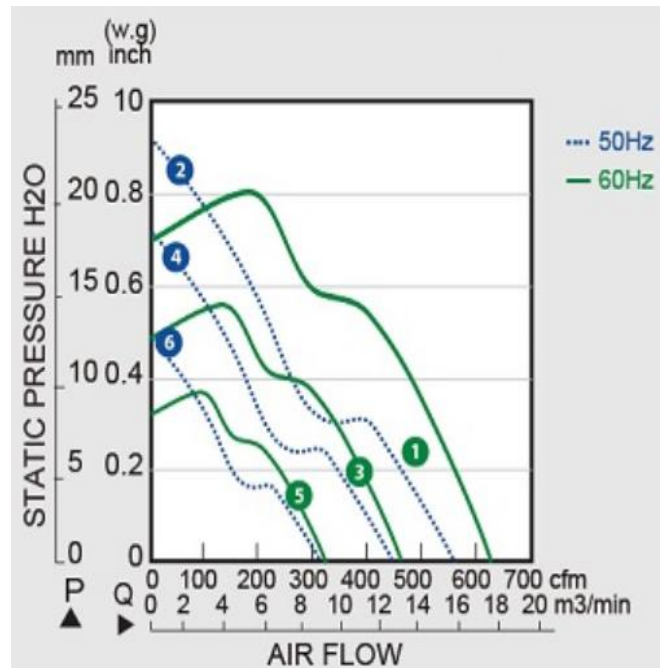
**Termination:** Lead wire

**Package:** 1580g / PC

Dimension (units:mm)



Characteristic Curves



**SPECIFICATION**

Model	Voltage (V)	Freq. (Hz)	Power (W)	Speed (RPM)	Air Flow (CFM)	Pressure (mm Aq)	Noise (dB)
CYS11968HB	115	50/60	60/75	2800/3150	587/660	23.11/17.78	69
CYS21968HB	230	50/60	60/75	2800/3150	587/660	23.11/17.78	69

AC Skeleton Fan