



# □ 75x24mm (□ 2.95x0.94 in)



**Impeller:** Glass fiber reinforced plastic (UL94V-0)

**Ambient Temperature Range:** -20°C ~ +70°C

**Operating Voltage Range:** Rated Voltage ±10%

**Bearing:** Ball bearing

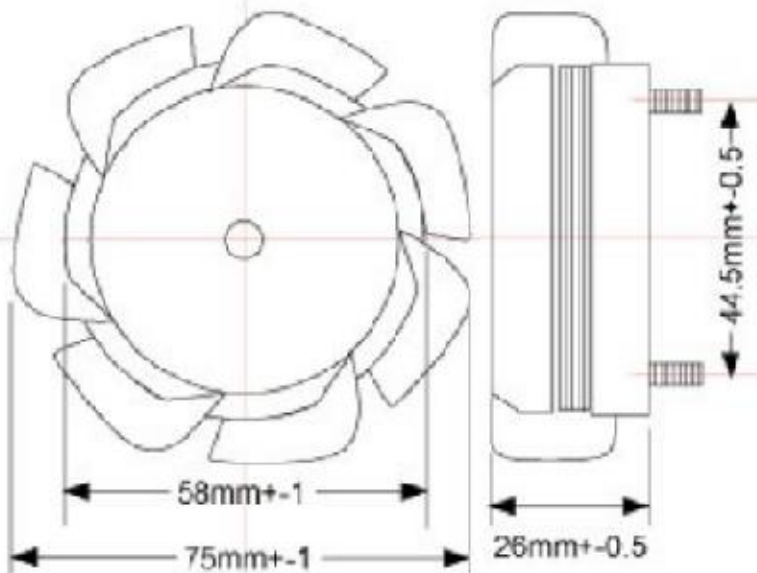
**Motor Structure:** Shaded pole induction

**Motor protection:** Impedance Protected

**Termination:** Lead wire

**Package:** 220g / PC

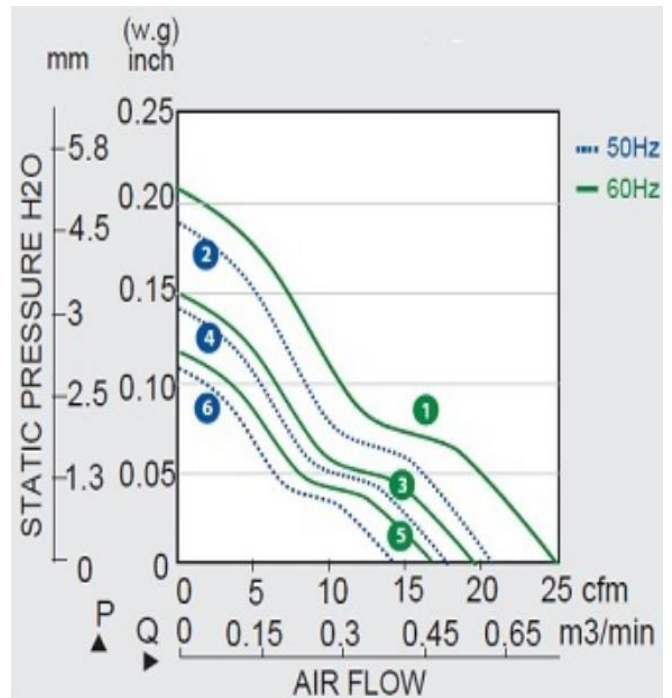
## Dimension (units:mm)



Mounting screw x 2  
M3.5 x 0.6P  
L: 8±2mm

\*Screw Length can be changed  
to meet customer requirement.

## Characteristic Curves



## SPECIFICATION

Model	Voltage (V)	Freq. (Hz)	Power (W)	Speed (RPM)	Air Flow (CFM)	Pressure (mm Aq)	Noise (dB)
CYS17524HB	115	50/60	11/9	2500/3000	22/25	4.57/5.33	28
CYS27524HB	230	50/60	11/9	2500/3000	22/25	4.57/5.33	28

AC Skeleton Fan