



□ 75x37mm
(□ 2.95x1.45 in)



Impeller: Glass fiber reinforced plastic (UL94V-0)

Ambient Temperature Range: -20°C ~ +70°C

Operating Voltage Range: Rated Voltage ±10%

Bearing: Ball bearing

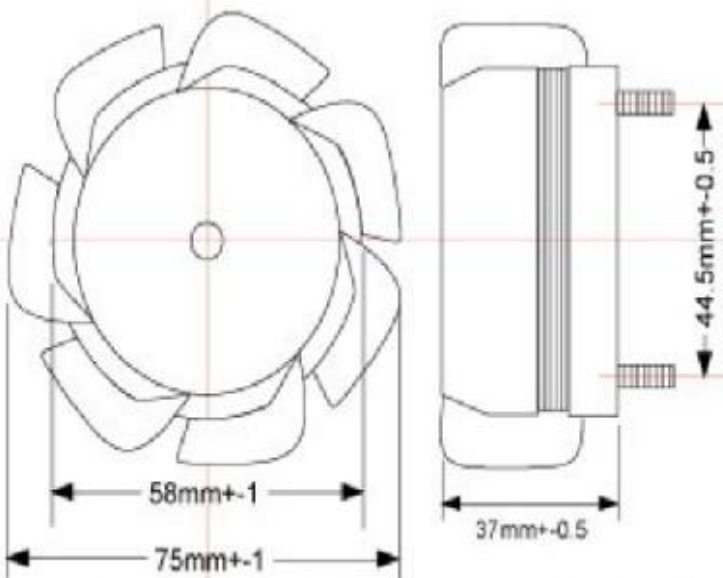
Motor Structure: Shaded pole induction

Motor protection: Impedance Protected

Termination: Lead wire

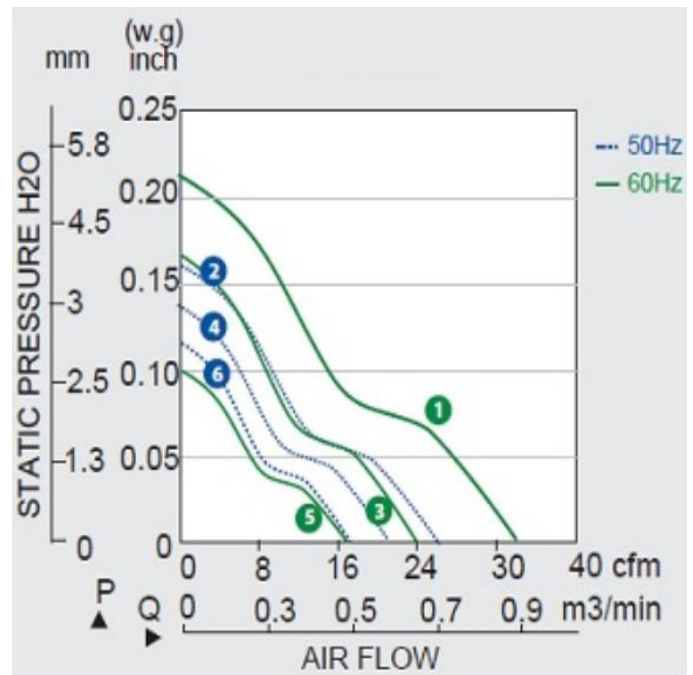
Package: 370g / PC

Dimension (units:mm)



Mounting screw x 2 *Screw Length can be changed to meet customer requirement.
M3.5 x 0.6P
L: 8 ± 2mm

Characteristic Curves



SPECIFICATION

Model	Voltage (V)	Freq. (Hz)	Power (W)	Speed (RPM)	Air Flow (CFM)	Pressure (mm Aq)	Noise (dB)
CYS17537HB	115	50/60	14/12	2700/3250	26/31	4.06/5.59	29
CYS27537HB	230	50/60	14/12	2700/3250	26/31	4.06/5.59	29

AC Skeleton Fan