



□ 84x37mm
(□ 3.3x1.45 in)



Impeller: Glass fiber reinforced plastic (UL94V-0)

Ambient Temperature Range: -20°C ~ +80°C

Operating Voltage Range: Rated Voltage ±10%

Bearing: Ball bearing

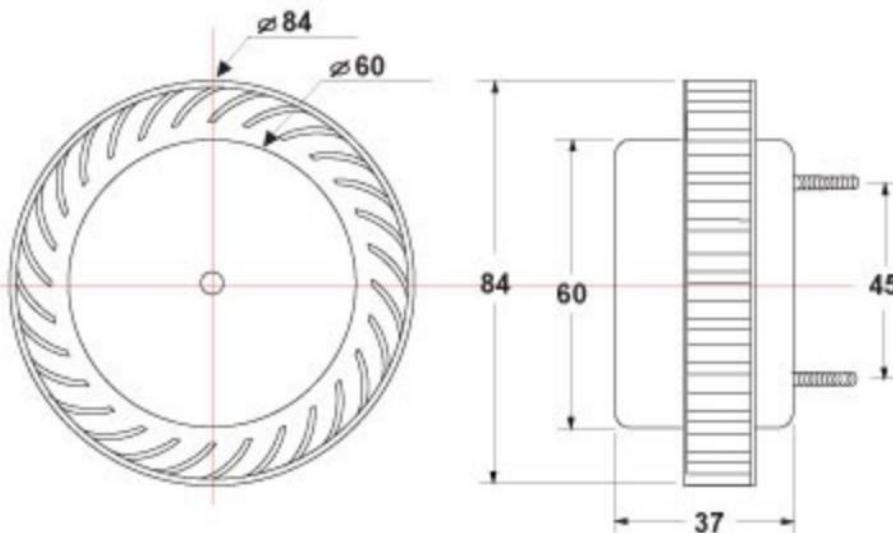
Motor Structure: Shaded pole induction

Motor protection:

Termination: Lead wire

Package: 320g / PC

Dimension (units:mm)



Mounting Screw x 2
M3.5 x 0.6P
L= 10+ -2mm

* Screw Length can be
to meet customer requirement.

SPECIFICATION

Model	Voltage (V)	Freq. (Hz)	Power (W)	Speed (RPM)	Air Flow (CFM)	Pressure (mm Aq)	Noise (dB)
CYS18437HB	115	50/60	20/18	2550/2800	29/33	10.67/12.7	48
CYS28437HB	230	50/60	20/18	2550/2800	29/33	10.67/12.7	47