



□ 108x36 mm



Impeller: Glass fiber reinforced PBT thermoplastic, UL94V-0 impeller

Ambient Temperature Range: -20°C ~ +70°C

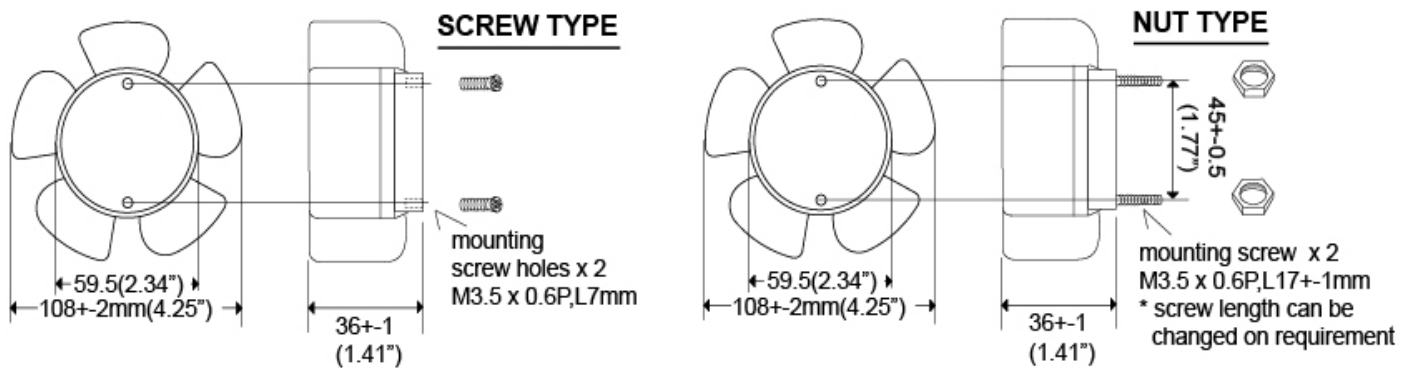
Bearing: Ball

Motor Structure: DC Brushless Motor

Termination: Lead wire 350 mm

Package: 170g / PC

Dimension (units:mm)



SPECIFICATION

Model	Voltage (V)	Operating Voltage Range(VDC)	Current (A)	Power (W)	Speed (RPM)	Air Flow (CFM)	Pressure (in-H ₂ O)	Noise (dB)
CDS121036LBL	12	10~14	0.2	2.4	2000	65	0.13	26
CDS121036MBL	12	8~13.8	0.4	4.8	2500	78	0.21	33
CDS121036HBL	12	8~13.8	0.5	6	3100	100	0.28	42
CDS241036LBL	24	18~27.6	0.15	3.6	2000	65	0.13	26
CDS241036MBL	24	18~27	0.19	4.6	2550	82	0.21	33
CDS241036HBL	24	15~26	0.23	5.5	3200	105	0.28	42
CDS481036LBL	48	30~56	0.07	3.6	2000	65	0.13	26
CDS481036MBL	48	28~55.2	0.08	4.6	2550	82	0.21	33
CDS481036HBL	48	28~55	0.1	5.5	3200	105	0.28	42